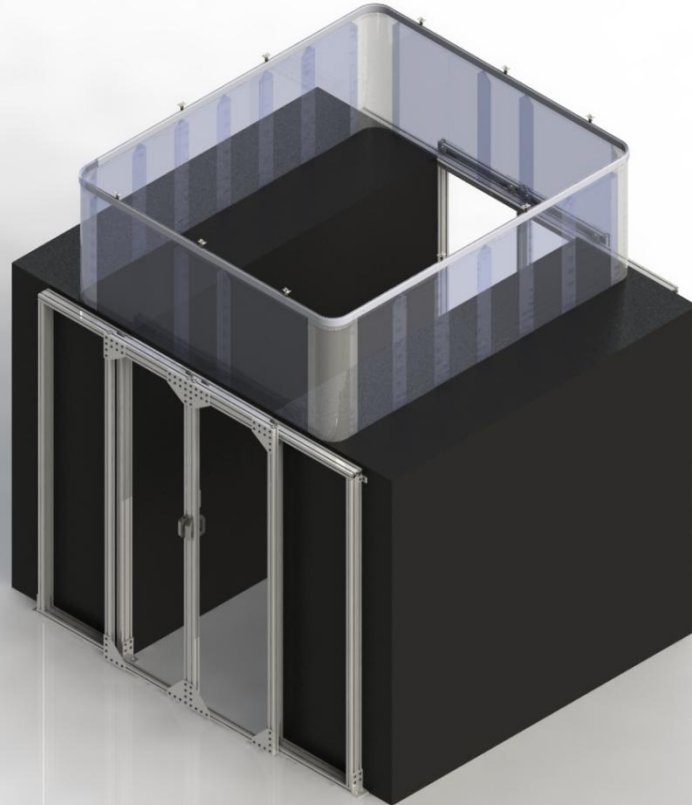


INSTALLATION GUIDE





Please Help Us Improve This Manual

We would be very interested to hear any comments you might have on this new installation manual. We are particularly interested in learning of omissions or subjects that are unclear. Please call, fax, or e-mail and direct your comments to Technical Service. Thank you very much for your assistance.

Phone: (410) 799-4200

Fax: (410) 799-4207

E-Mail: TateInfo@Tateaccessfloors.com

TABLE OF CONTENTS

1. Overview.....	3
2. Safety and Quality Assurance....	4
3. Cautions and Warnings.....	4
4. Components	5
5. Assembly	6
6. Additional Information	13

1. Overview

The Tate ContainAire Sliding Door (ALSLD) is the recommended door system for both cold and hot aisle containment because it combines cost-effectiveness and ease of installation. Over the long-term the ContainAire Sliding Door will also reduce “total cost of ownership” by making it easier to fully separate cold supply and hot exhaust airflow. Other features include a locking door, magnetic stays, and a no-floor threshold so as to eliminate a tripping hazard.

The ALSLD includes all of the components and fasteners required to assemble and install the door.

The door can be installed without having to ‘hang it’ onto the aisle end racks. Instead the door sits on the floor with two small attachments to the top of the racks.

As shown in Figure 1, the door frames are attached to the floor with four L brackets. The top is attached with two brackets to the top of the aisle end racks. The attachments at the top can be solid brackets that screw into the rack or a combination of a turnbuckle and guide wire that attaches into the racks various openings, such as vent slots. The weight of the door rests on the floor. Once the doorposts are leveled the doors will easily slide open and shut.



Figure 1: Double Sliding Door

The

2. Safety and Quality Assurance

The following recommendations should be carefully observed as part of any ContainAire Sliding Door installation. In particular, the safety of the installers must be placed ahead of all other considerations. Some of the following warnings or cautions have been highlighted in the appropriate sections of the manual.

- **DO** read this Installation Guide thoroughly prior to beginning any work.
- **DO NOT** lift the door alone.
- **DO NOT** drill into the raised floor without first ensuring that no electrical wires are in the area of the drilling
- **DO NOT** screw into the aisle end rack without first ensuring that no electrical cables are in the area of the screw.
- **ALWAYS** have at least one person securing the door to ensure it remains upright while the installation is taking place.
- **ALWAYS** wear personal protective equipment (PPE) when drilling, cutting, or attaching the door. PPE includes: Gloves, Safety eyeglasses, Hardhats.
- **DO NOT** leave the door unattended (secured) until the installation is completed.

3. Cautions and Warnings

This manual contains important information of the installation of your ContainAire Sliding Door. We strongly recommend that you read and follow the instructions contained in this manual.

At several points in the manual there may be items of special interest or significant impact which are highlighted by one of the following notices.

Warning:

Hazards or unsafe practices that could cause personal injury or death.



Caution:

Hazards or unsafe practices that could cause product damage.



Note:

Significant points of interest.

4. Components

The sliding door consists of the following components:

- Sliding Doors
- Door Frame
- Top Plate or Headers
- Top Plate Bolts (2 Per post)
- Floor Anchors

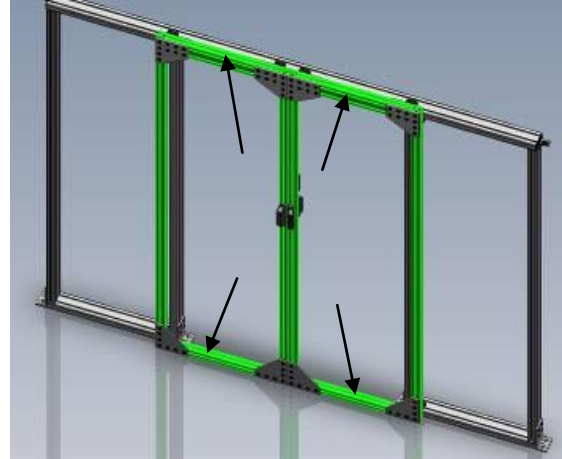


Figure 2: Two Centered Sliding Doors

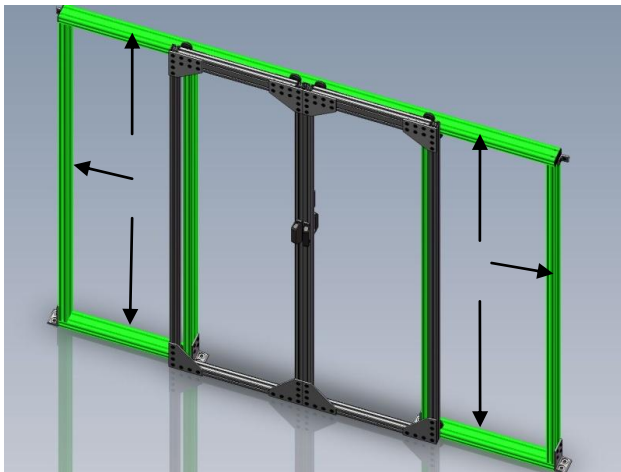


Figure 3: Door Frame

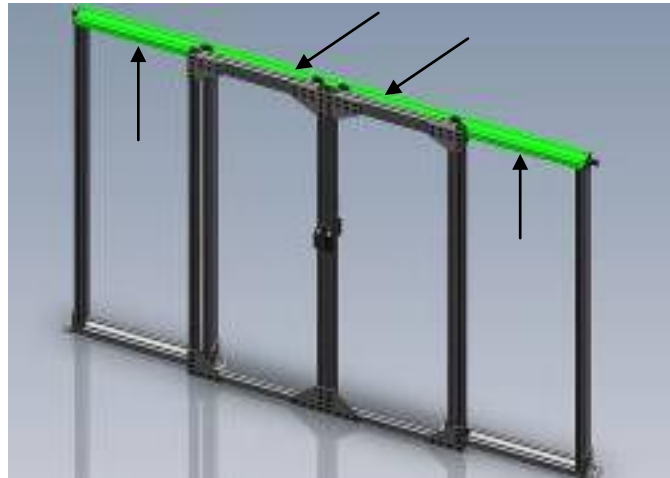


Figure 4: Top Plate or Headers

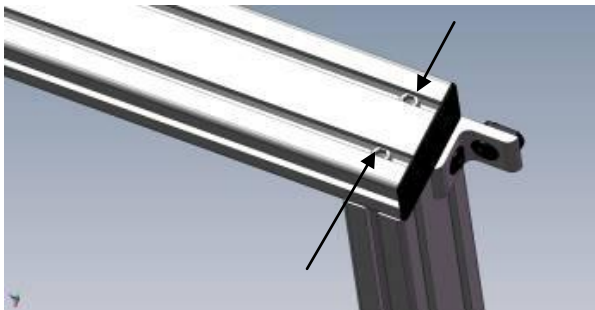


Figure 5: Top Plate Bolts, two per post

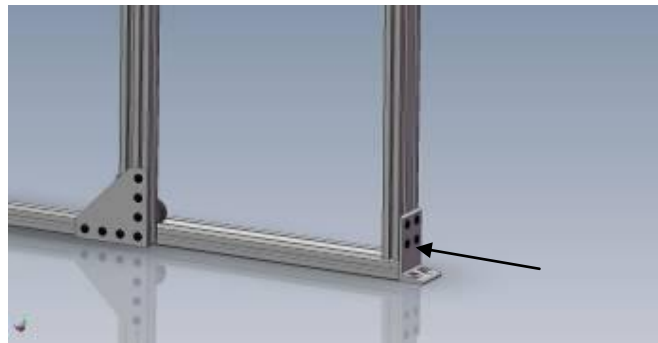


Figure 6: Floor Anchors

Note:

Please refer to the ContainAire Application Guide for additional information and to determine proper product selections.

5. Assembly

The experienced installer of the ContainAire Sliding Door should plan on approximately 4 work hours for unpacking, assembly and installation. Two individuals are required for installation, suggesting a total install time of two hours. (4 work hours / 2 individuals = 2 install hours) Inexperienced installers should double the above time estimate.

Floor types (solid, raised) may require different anchoring methods to ensure proper strength. Choose anchors that bolt to the raised floor or solid floor.

Tools Required:

- Drill
- 3/8 drill bit
- 3/16 Allen wrench
- Level
- Plumb bob

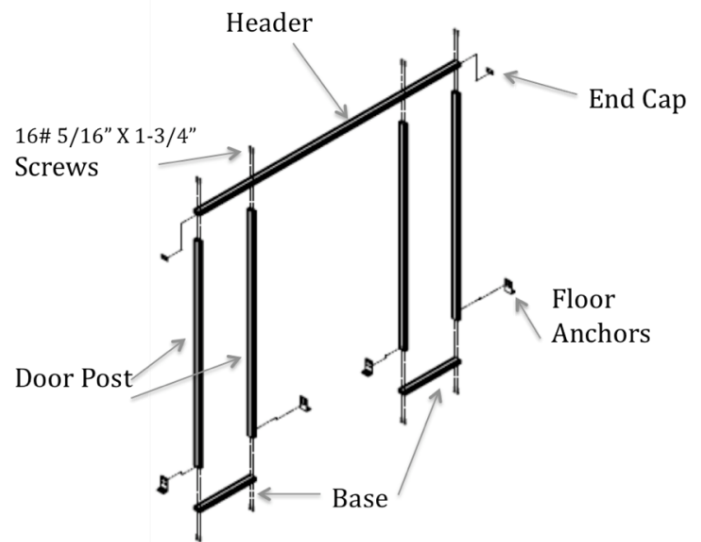


Figure 7: Frame Assembly Diagram

Procedure:

- 1. Unpack the ContainAire Sliding Door and separate the door from the packing material.**

Caution:

Use Caution when separating the packing material from the door and frame, cutting into the aluminum or clear Plex material as you separate the packing material from the door will cause damage.



2. Assemble the Frame

The frame comes assembled with the exception of the header.

Attach the header to the door posts using the 5/16" by 1 3/4" screws.

Attach the four floor anchors to the door posts using the 5/16" by 11/16" bolt.

The frame should look like this:

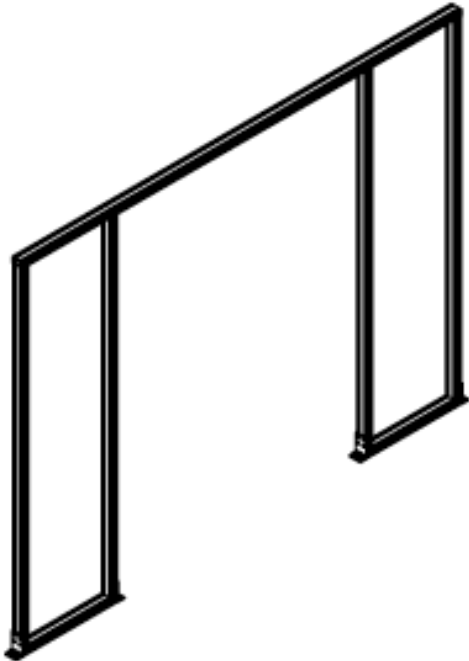


Figure 8: Frame Assembly

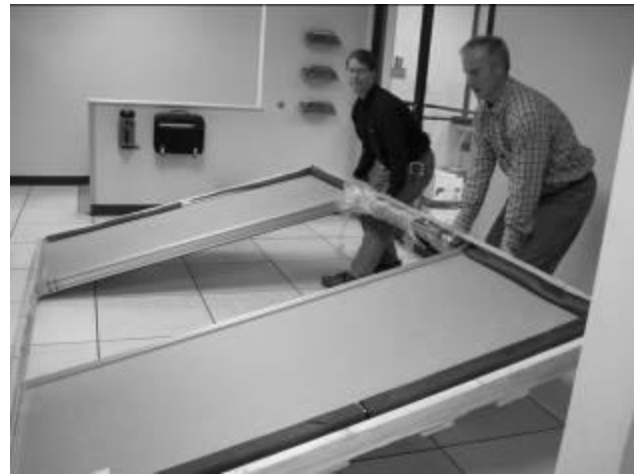


Figure 9: Stand the door frame

3. Position the door frame

Using two or more people, stand up the frame into what would be its final position.

Ensure the frame is placed so it allows for safe entrance and exit from the contained aisle.

Likewise ensure the frame fully butts up against the aisle end racks so as to prevent air from leaking around the sides.

Warning:

The door frame is heavy. Should it fall it could cause injury or even death. Always secure the door by at least one person while measuring the doors layout.



Note:

Only the frame is required to mark the floor anchors. Do not attach the doors to the frame yet.

4. Plumb the doorframe

Once the door is in the desired place attach one of the floor anchors on the outside corner. Next use a level to determine that the doorpost is plumb. The attached floor anchor will ensure the frame does not move.

5. Drill the floor for anchor brackets.

Mark the floor where the anchor brackets meet the floor. It's best to draw a small circle in the shape of the opening that matches the bolt. Move the frame so as to drill the marked holes.

Drill a 5/16-inch hole on the marks you've made that match the doorframe brackets

6. Attach the doorframe to the floor

Using two or more people, stand the frame back into the same place where the marks were made.

Insert the bolts into the side anchor brackets and through the floor. Attach the nut to the bolt.

7. Attach the top of the frame to the aisle end cabinet

Attach one end to the doorframe with the provided hardware. The other end of the bracket with the slotted hole allows attachment to the cabinet using the self-tapping metal screw provided. Alternately you can attach to factory points if available on the top of the cabinet.

Secure the doorframe top rail snug against the side of the cabinet on both sides of the aisle.



Figure 10: Plumb The doorframe



Figure 11: Drill the floor

Note:

There are several ways to attach the frame to the aisle end cabinet. Choose an option that best fits the cabinet design. The key is to hold the frame firmly against the cabinet so that it will remain in place and not create an air gap.

8. Installing the doors

Place the doors on the frame header. The door is held onto the frame by rollers.

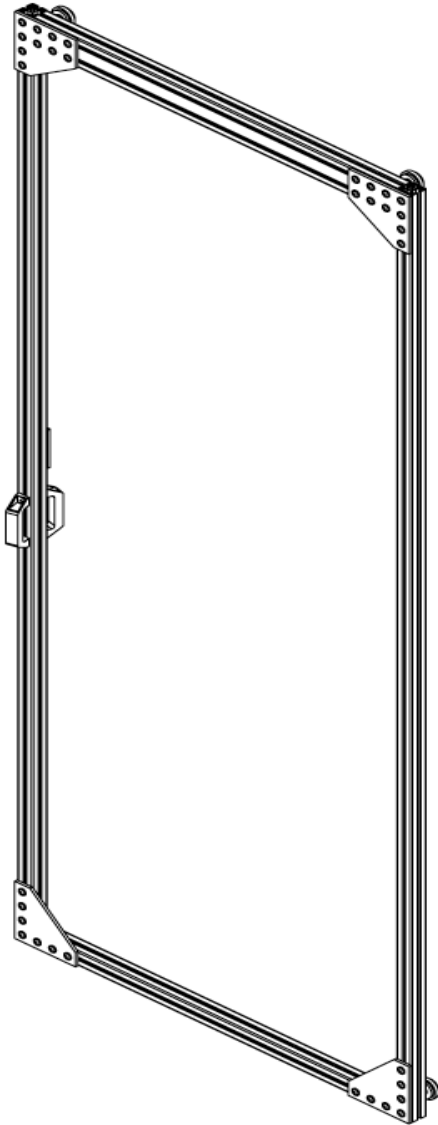


Figure 12: Sliding Door

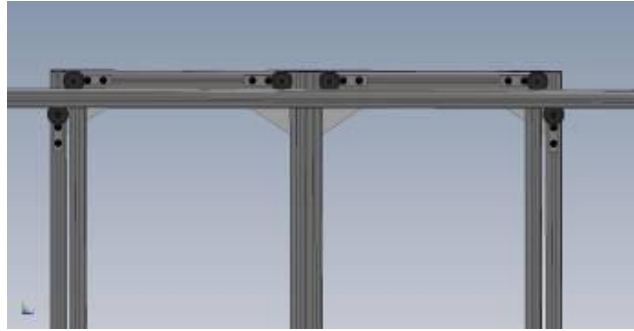


Figure 13: Door on frame roller installation



Figure 14: Door rollers

Note:

The rollers on the doors are both above and below the header or top rail.

9. Field adjust the door rollers

Place each door on the assembled upright attached frame header. Ensure the wheels are in the position as shown. Verify that the doors slide easily from closed to fully open position.

The lower roller is a guide wheel that may need minor adjustment to ride in the lower track. First adjust the lower roller, if needed, so the door rolls easily yet is held captive in the track by this lower wheel.



Figures 15 and 16: Door roller adjustments



Figure 17: Adjusted sliding door assembly

When satisfied that the door is rolling smoothly, slide the upper vertically adjustable roller into the upper frame groove to prevent the door from being able to be lifted off of or removed from the upper frame header.

Loosen the two screws holding the bracket sufficiently to slide the wheel up until it contacts the groove in the bottom of the frame header. Tighten the two screws to hold it in place.

10. Install the floor guide

The door will slide better if a guide can be installed in the floor. Draw a line with a straight edge on floor 12 inches out from the door jam. This should help you center the guide.



Figure 18: Floor guide installation

11. Draw a perpendicular line on the floor 12" away from the door jam.

Figure 19: Mark 12" away from door jam

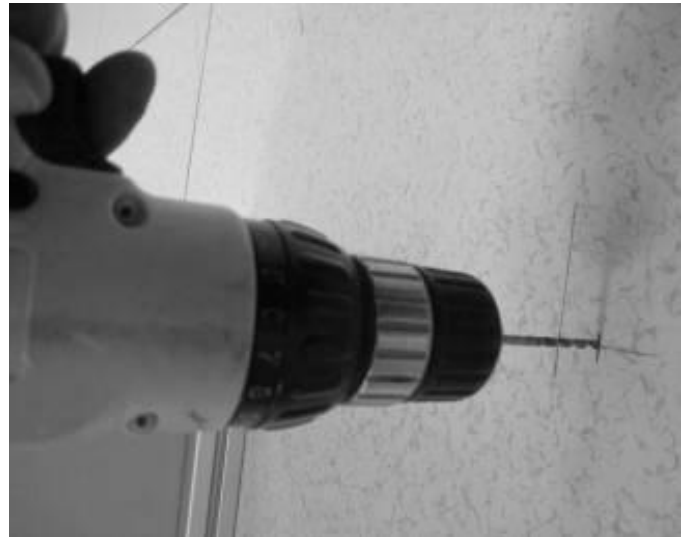


Figure 20: Drill hole on mark with 1/8-inch drill bit

12. Drill a hole with a 1/8-inch drill bit.

13. Install #6 x 1-1/4" screw and nylon spacer (as shown) into floor.

The height of the spacer will vary and is determined by how much of a gap exists between the floor and bottom of the sliding door.

14. Slide doorframe over screw.



Figures 22 and 232: #6 x 1-1/4" screw and nylon spacer

15. Adjust the door latch and handles

The door latch can now be adjusted so each side fits into one another. Loosen the screws on both the male and the female latch. Insert the latches so they are in the position when the doors are closed.

Tighten the screws on the male side. After ensuring the latches remain tight, tighten the female side.

The two screws at the top and bottom of the handle can adjust the door handles. Simply loosen the screws and move to the desired height and tighten.

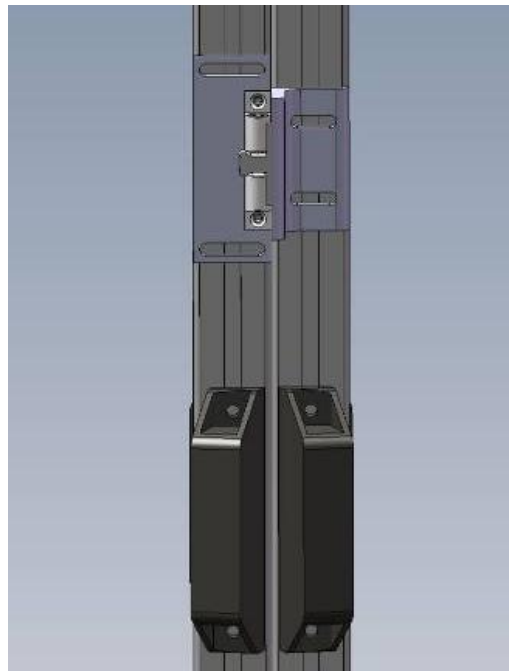


Figure 21: Door Latch and handles

6. Additional Information

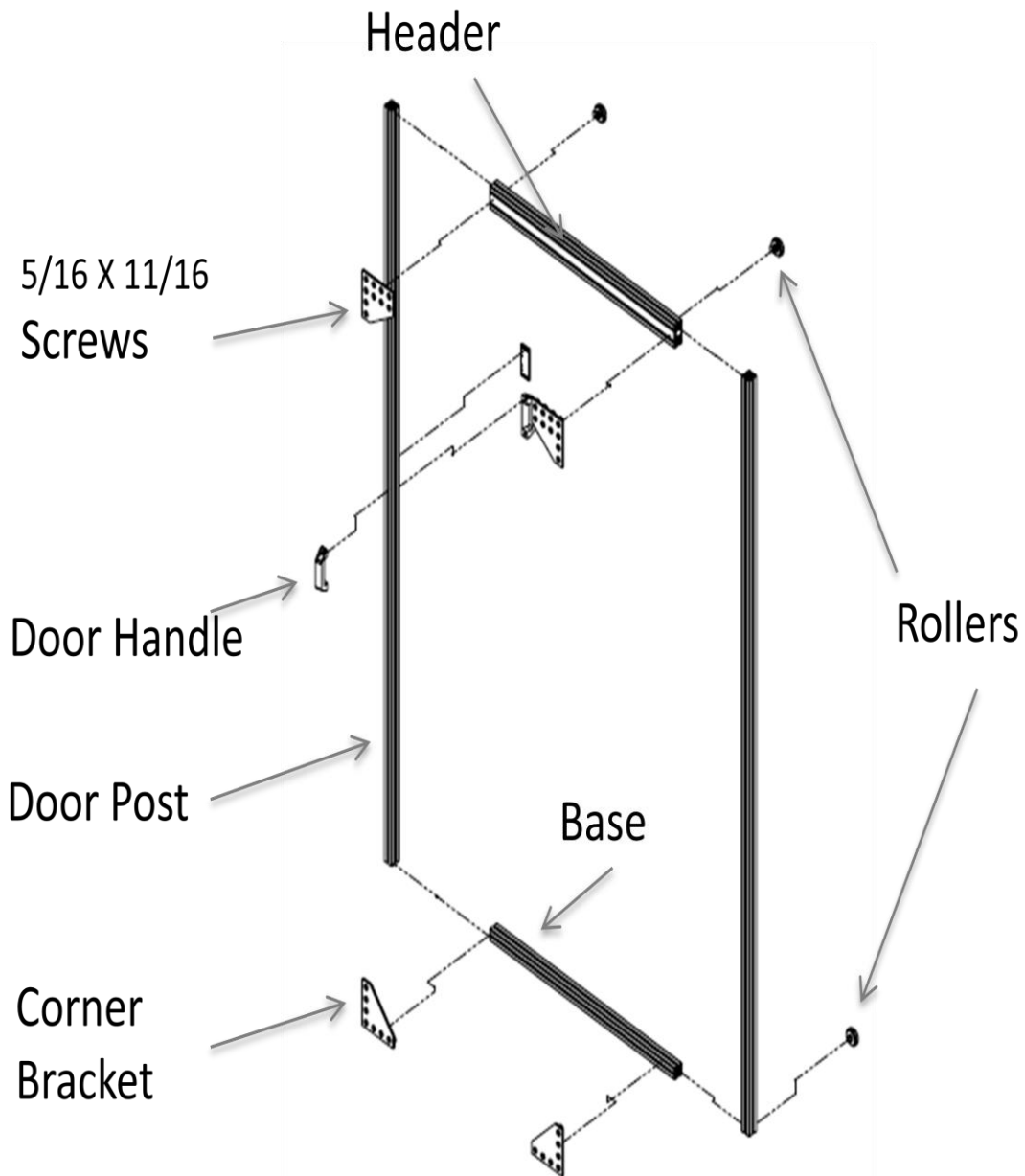


Figure 24: Enlarged door assembly