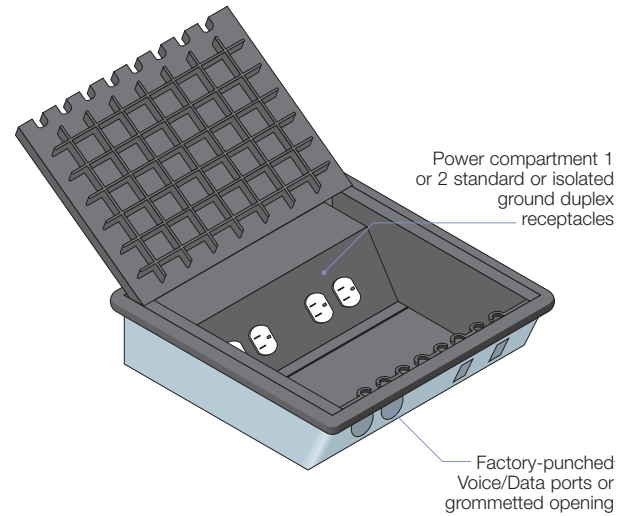
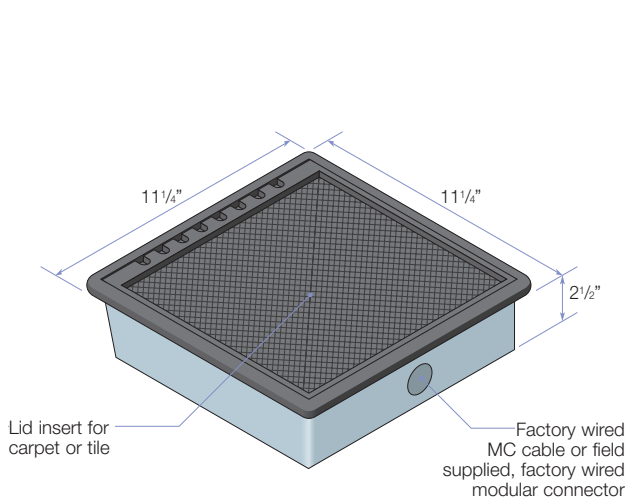


# Low Floor Height High Capacity Power, Voice, Data (PVD) Servicer™



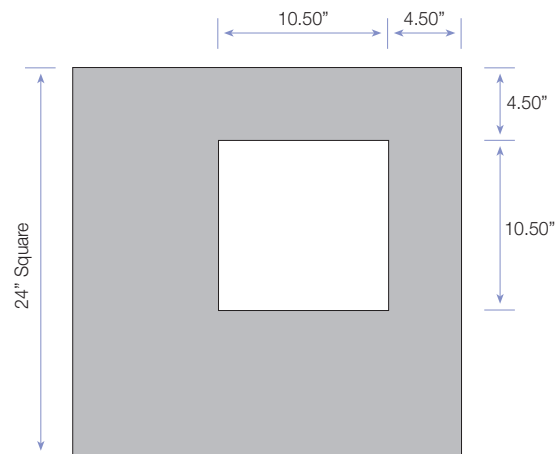
## Low Floor Height - High Capacity PVD Servicer™



### Specifications

#### General Information

- 11 1/4" square lid assembly
- 1/8" thick low profile trim frame
- 2 1/2" overall depth for 2 1/2" minimum finished floor height
- Factory wired boxes are listed in U.L. file E63807
- Cutout size is 10 1/2" square
- Lid colour - black, gray or brown
- 1 or 2 standard or isolated ground Duplex receptacles
- Voice/data plates - 1 knockout for grommetted port and knockouts for 2 Superior RJ-45 jacks (not installed)
- Carpet or vinyl insert is field supplied and installed



### Performance Data

Min Floor Height	Inside Volume	Box Body	Lid/Frame Assembly	Lid Colour	Power Capacity	Voice/Data Capacity	Wiring	U.L. Designation
2 1/2"	75"	Galvanized Steel	Lexan 500	Black Brown or Gray	1 or 2 standard or isolated ground duplex receptacles	1 Knockout for grommetted opening, 2 knockouts for Superior RJ45 jacks	Factory wired MC cable or field supplied, factory wired modular connector	E63807

Factory wired boxes are listed in U.L. file E63807

Note: For Power Voice Data configurations to suit any specific project requirements contact the Cii Hotline @ 1-800-679-9711