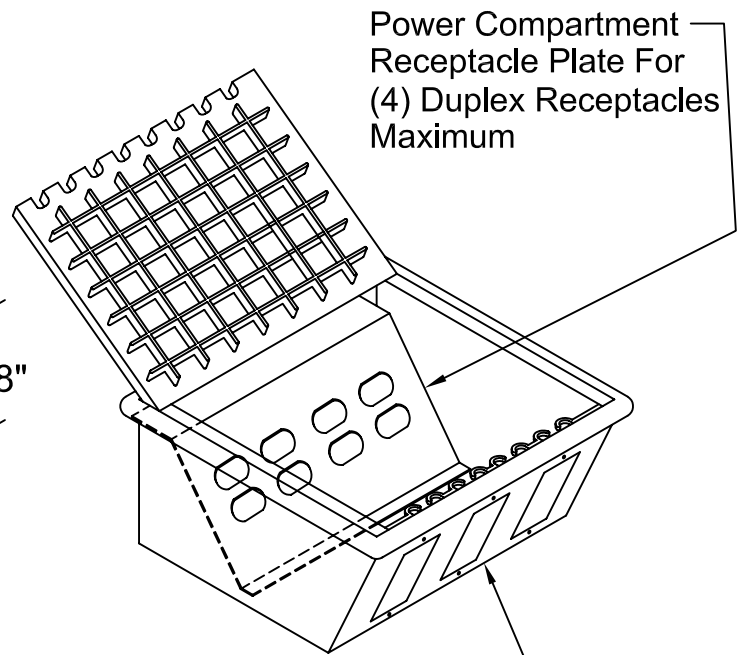


Cutouts for CII Modular Connectors. 1/2" Diameter Knockout for Field Wiring Available Upon Request

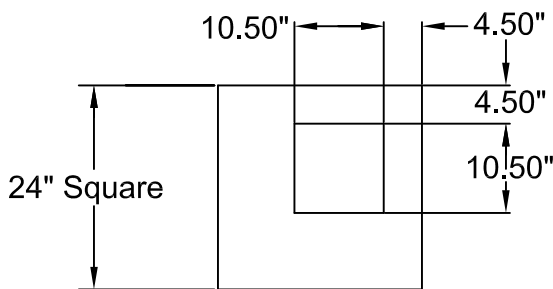


3 Voice/Data Knockouts For Standard Faceplates or Multiport Interface Plates

SPECIFICATIONS

GENERAL INFORMATION

- 11-1/4" Square Lid Assembly
- 1/8" Thick Low Profile Trim Frame
- 4-5/8" Overall Depth For 5" Minimum Finished Floor Height
- Factory Wired Boxes Are Listed In U.L. File E63807. Field Wired Boxes Are Listed In U.L. File E106951.
- Cutout Size Is 10-1/2" Square
- Lid Color - Black, Gray or Brown
- Receptacle Plate for (4) Duplex Receptacles Maximum.
- Wiring - CII Modular Connectors or Field Wired (no receptacles)
- Voice/Data - 3 Knockouts for Standard Faceplates, or Multiport Interface Plates.
- Carpet Or Vinyl Insert is Field Supplied and Installed.

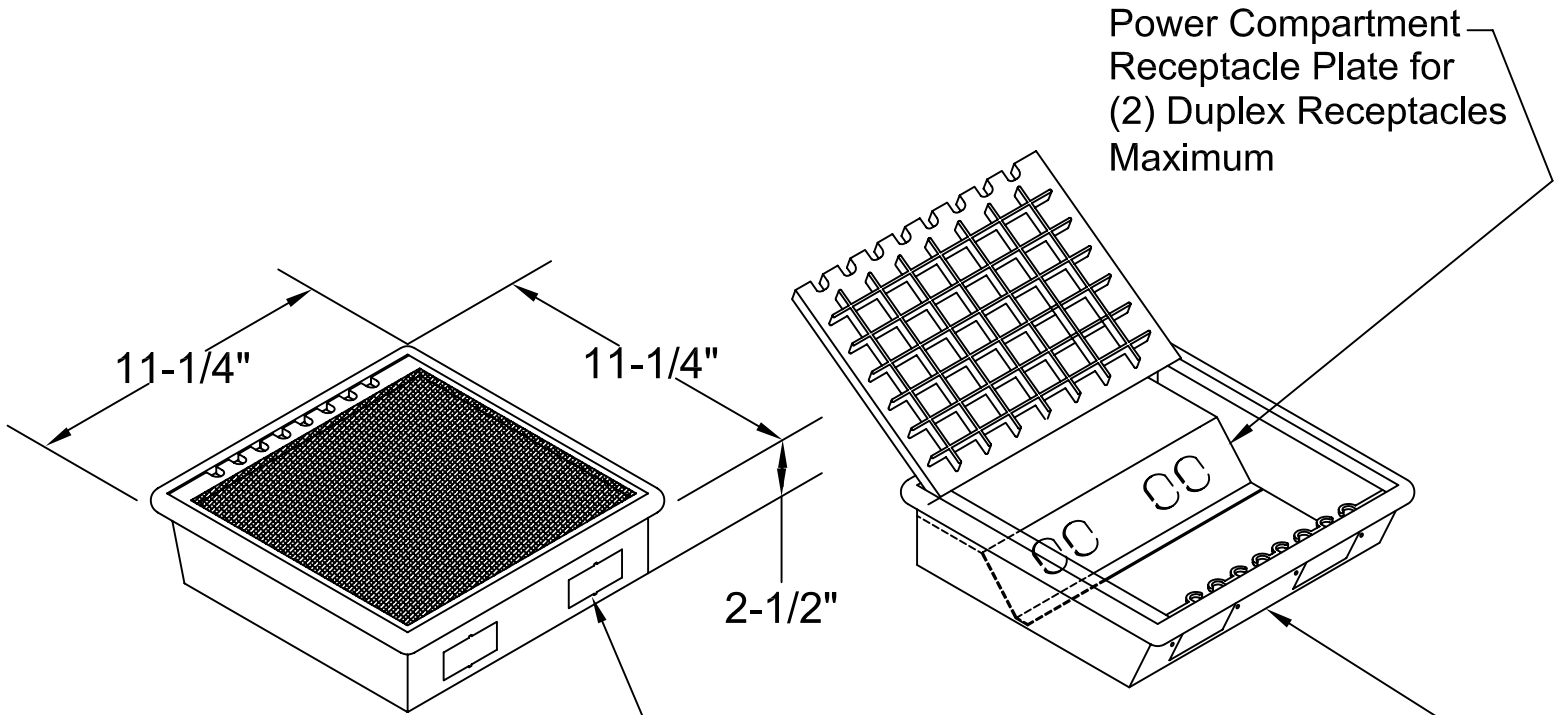


Cutout Data

Performance Properties

Minimum Floor Height	Inside Working Volume	Box Body	Lid/Frame Assembly	Lid Color	Power Capacity	Voice/Data Capacity	Wiring Options	U.L. Designation
5"	180 in ³	Galvanized Steel	Lexan 500	Black, Brown or Gray	Max. 4 Duplex Receptacles	3 Knockouts for Standard Faceplates or Multiport Interface Plates	CII Modular Connectors or Field Wired (no receptacles)	E63807, E106951

*Factory wired boxes are listed in U.L. file E63807. Field wired boxes are listed in U.L. file E106951.



Power Compartment Receptacle Plate for (2) Duplex Receptacles Maximum

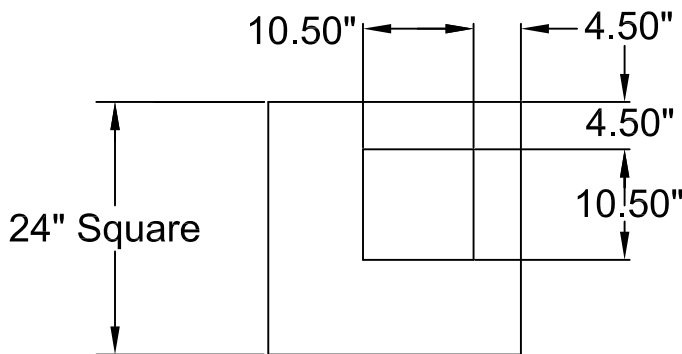
11-1/4"

11-1/4"

2-1/2"

Cutouts for CII Modular Connectors. 1/2" Diameter Knockout for Field Wiring Available Upon Request

2 Voice/Data Knockouts For Multiport Interface Plates



Cutout Data

SPECIFICATIONS

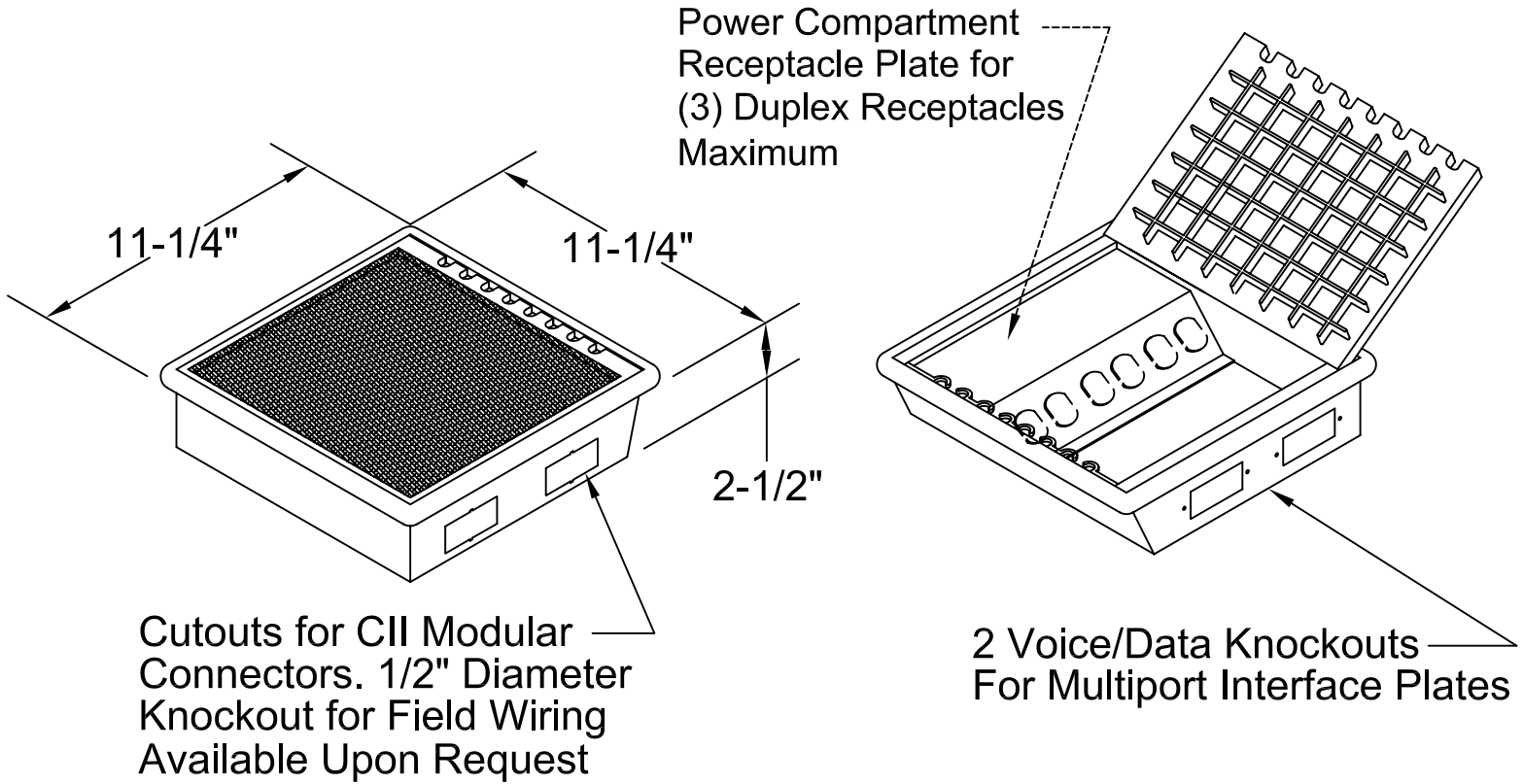
GENERAL INFORMATION

- 11-1/4" Square Lid Assembly
- 1/8" Thick Low Profile Trim Frame
- 2-1/2" Overall Depth For 2-1/2" Minimum Finished Floor Height
- Factory Wired Boxes Are Listed In U.L. File E63807. Field Wired Boxes Are Listed in U.L. File E106951.
- Cutout Size Is 10-1/2" Square
- Lid Color - Black, Brown or Gray
- Receptacle Plate for 2 Duplex Receptacles Maximum.
- Wiring - CII Modular Connectors or Field Wired (no receptacles)
- Voice/Data - 2 Knockouts for Multiport Interface Plates.
- Carpet Or Vinyl Insert is Field Supplied and Installed

Performance Properties

Minimum Floor Height	Inside Working Volume	Box Body	Lid/Frame Assembly	Lid Color	Power Capacity	Voice/Data Capacity	Wiring	U.L. Designation
2-1/2"	75 in ³	Galvanized Steel	Lexan 500	Black, Brown or Gray	Max. 2 Duplex Receptacles	2 Knockouts for Multiport Interface Plates	CII Modular Connectors or Field Wired (no receptacles)	E63807, E106951

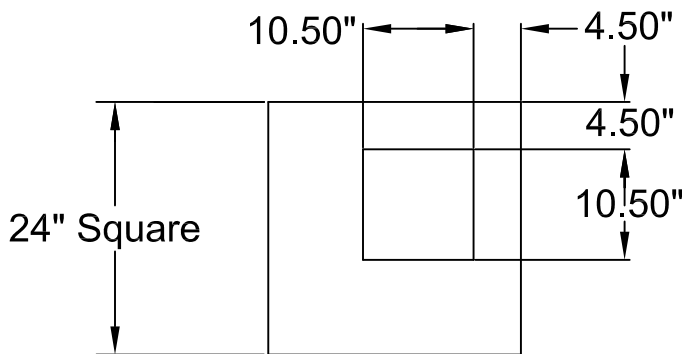
*Factory wired boxes are listed in U.L. file E63807. Field wired boxes are listed in U.L. file E106951.



SPECIFICATIONS

GENERAL INFORMATION

- 11-1/4" Square Lid Assembly
- 1/8" Thick Low Profile Trim Frame
- 2-1/2" Overall Depth For 2-1/2" Minimum Finished Floor Height
- Factory Wired Boxes Are Listed In U.L. File E63807. Field Wired Boxes Are Listed in U.L. File E106951.
- Cutout Size Is 10-1/2" Square
- Lid Color - Black, Brown or Gray
- Receptacle Plate for 3 Duplex Receptacles Maximum.
- Wiring - CII Modular Connectors or Field Wired (no receptacles)
- Voice/Data - 2 Knockouts for Multiport Interface Plates.
- Carpet Or Vinyl Insert is Field Supplied and Installed

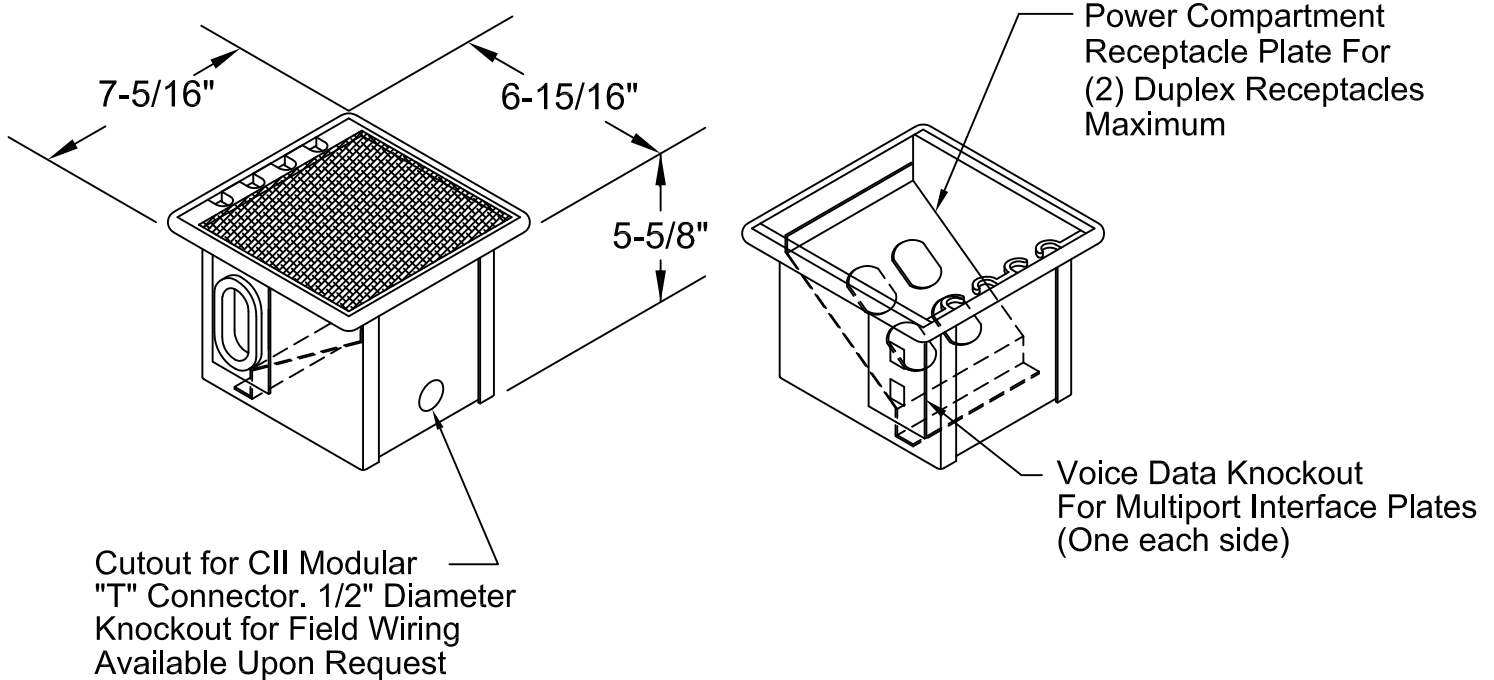


Cutout Data

Performance Properties

Minimum Floor Height	Inside Working Volume	Box Body	Lid/Frame Assembly	Lid Color	Power Capacity	Voice/Data Capacity	Wiring	U.L. Designation
2-1/2"	75 in ³	Galvanized Steel	Lexan 500	Black, Brown or Gray	Max. 3 Duplex Receptacles	2 Knockouts for Multiport Interface Plates	CII Modular Connectors or Field Wired (no receptacles)	E63807, E106951

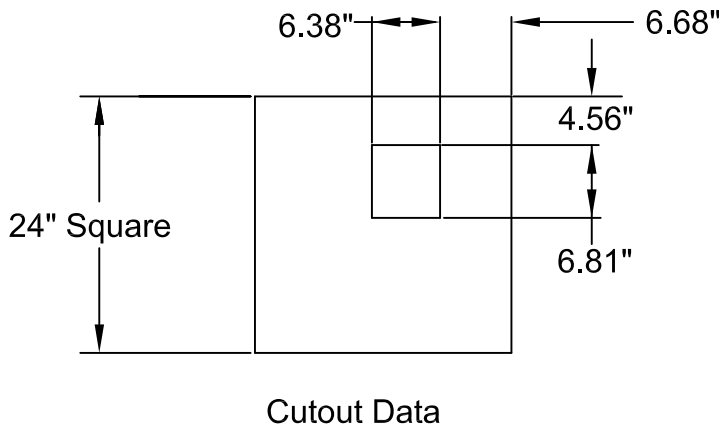
*Factory wired boxes are listed in U.L. file E63807. Field wired boxes are listed in U.L. file E106951.



SPECIFICATIONS

GENERAL INFORMATION

- 7-5/16" x 6-15/16" Lid Assembly
- 1/8" Thick Low Profile Trim Frame
- 5-5/8" Overall Depth For 6" Minimum Finished Floor Height
- Factory Wired Boxes Are Listed In U.L. File E63807. Field Wired Boxes Are Listed In U.L. File E106951.
- Cutout Size Is 6-3/8" x 6-3/4"
- Lid Color - Black, Gray or Brown
- Receptacle Plate for 2 Duplex Receptacles Maximum.
- Wiring - CII Modular Connectors or Field Wired (no receptacles).
- Voice/Data - 2 Knockouts for Multiport Interface Plates.
- Carpet Or Vinyl Insert is Field Supplied and Installed



Performance Properties

Minimum Floor Height	Inside Working Volume	Box Body	Lid/Frame Assembly	Lid Color	Power Capacity	Voice/Data Capacity	Wiring	U.L. Designation
6"	80 in ³	Galvanized Steel	Lexan 500	Black, Brown or Gray	Max. 2 Duplex Receptacles	2 Multiport Interface Plates	CII Modular Connectors or Field Wired (no receptacles)	E63807, E106951

*Factory wired boxes are listed In U.L. file E63807. Field wired boxes are listed in U.L. file E106951.