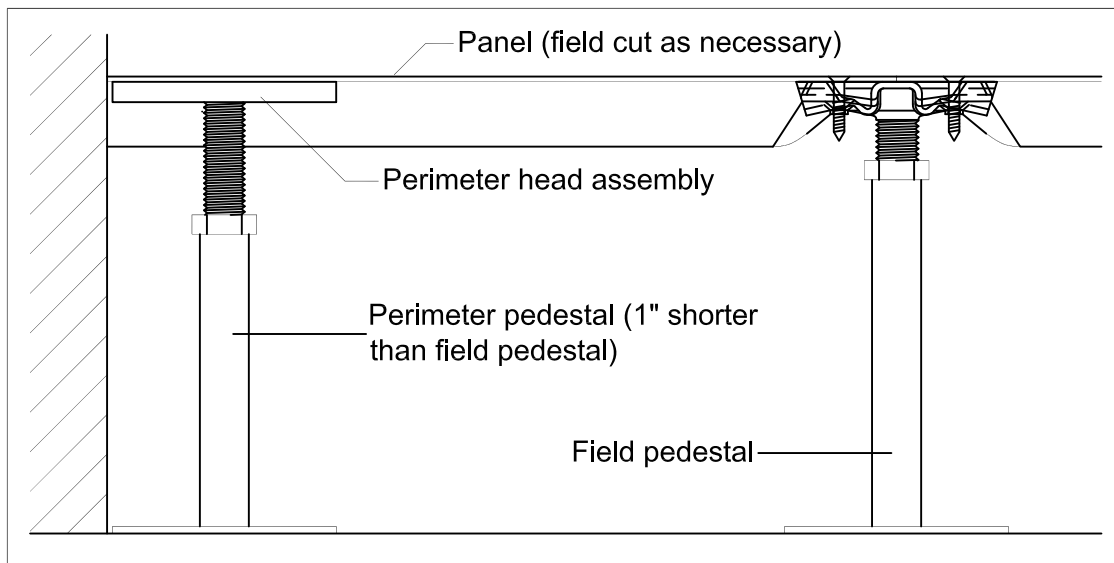


- LEGEND**
1. 7/8" wide x 3/8" deep x 4" long x 16 ga formed steel hat channel
  2. Steel stud  
3/4" - 10 UNC
  3. Nut with vibration proof locking device
  4. Type 1 base with 7/8" sq. x 17 ga. wall galv. tubing
  5. .083" thick die formed embossed galv. steel base



**PERIMETER CONDITION FOR POSILOCK SYSTEM**