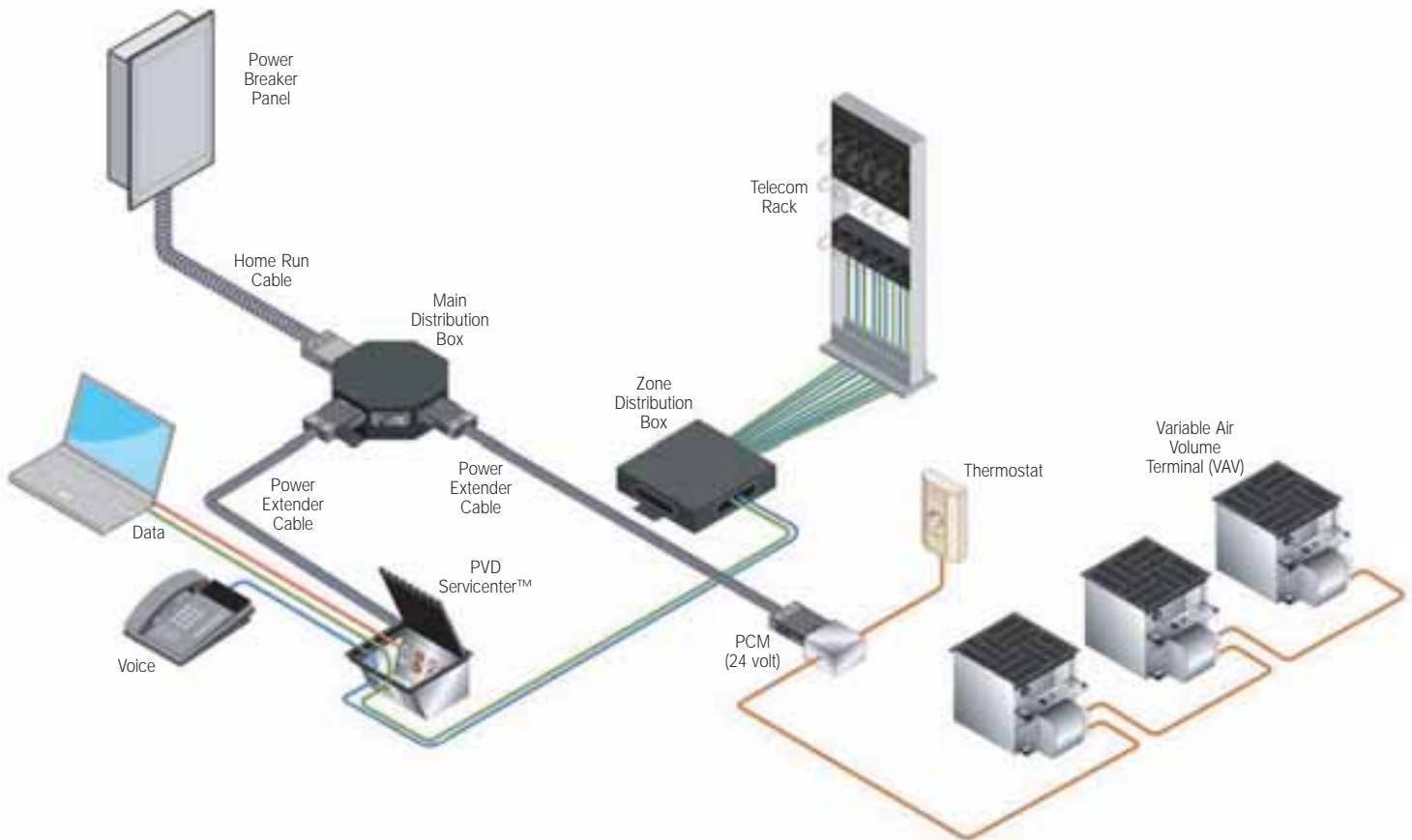


Manufactured Modular Wiring and Cabling

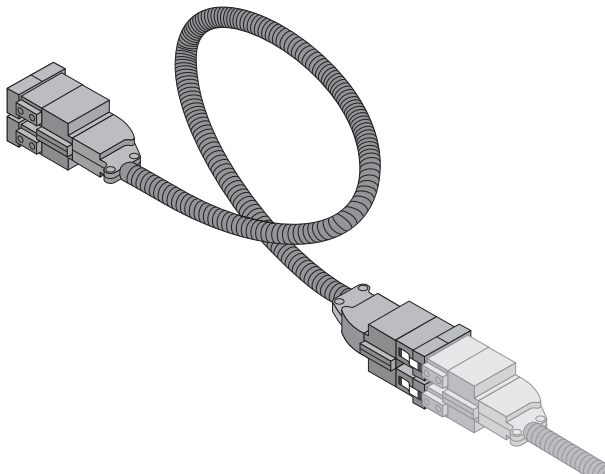
- What is it, and why should I use it?

Manufactured Modular Wiring is a pre-fabricated, pre-assembled, and pre-packaged power distribution system

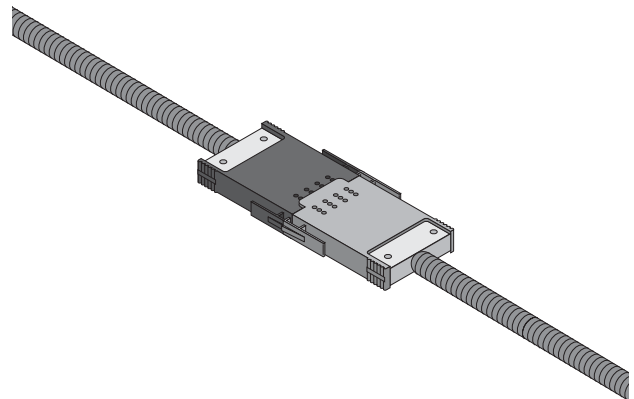
consisting of copper conductors encased in flexible metal conduit and terminated at the ends with plug together connectors.



Modular Wiring flexibility



'Plug and Play' connectivity



Wire & Cable Services

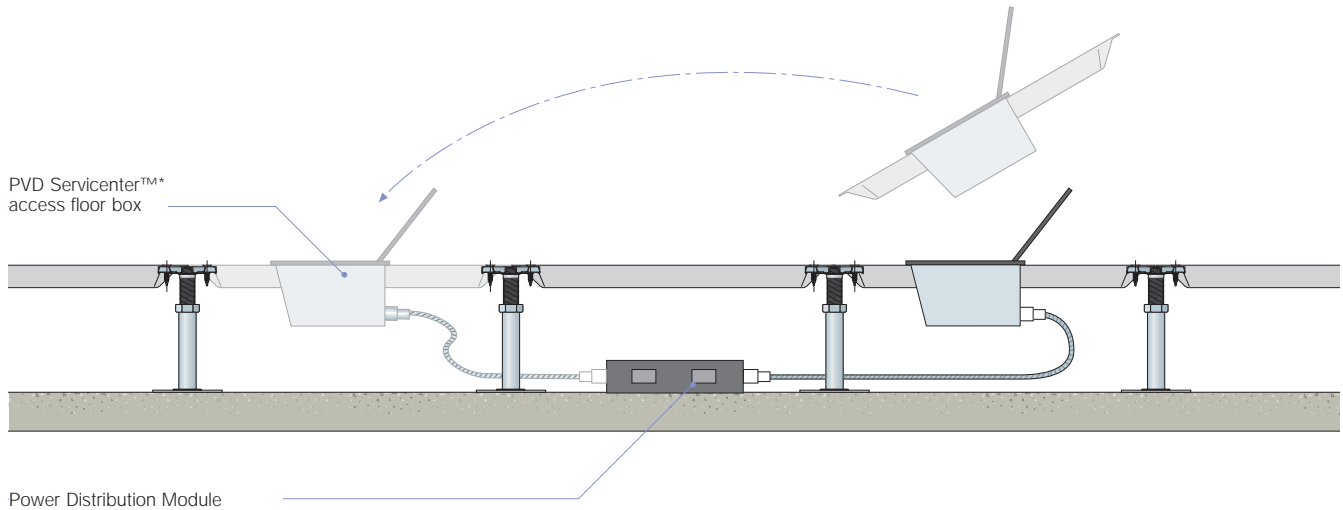
Product Range & Selection - Modular Wiring and Cabling



- **'Plug and Play' at work: Flexibility**

Modular wiring's highly flexible wiring and plug connections

combined with access floor's accessibility enables reconfiguration of services to be fast, easy, and cost effective.



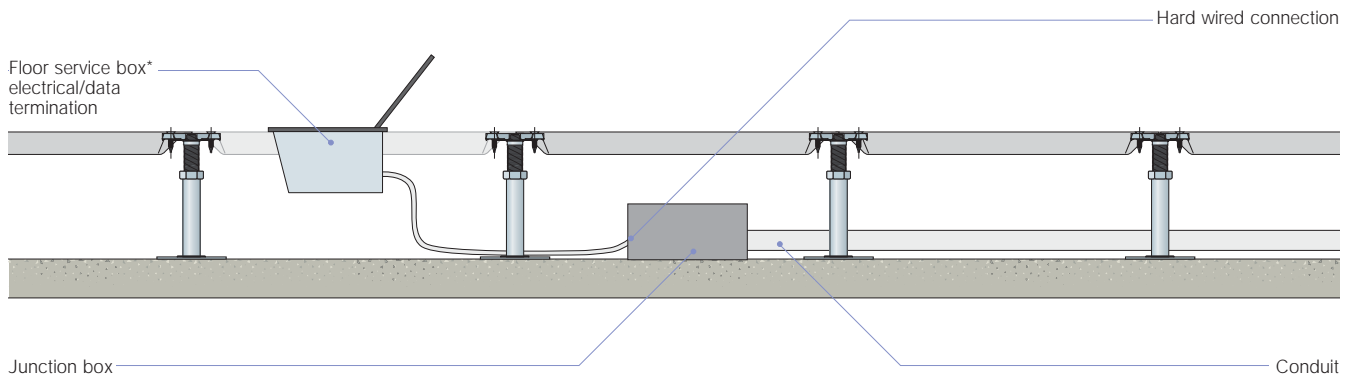
** Moving floor service box requires unplugging, removal of panel to new location and replugging back in – no waste, quick and easy!*

2 | 42

- **Hard wired: inflexibility**

Whereas it is acceptable to use conduit and hard wired

connections under an access floor, the inflexibility of the wiring makes moving services more time consuming and costly.



** Moving floor service box requires abandoning existing conduit line and installing new line with junction box. Additionally requires disconnection of service box and rewiring to new junction box.*

Therefore whenever possible, use modular wiring to distribute power under an access floor to maintain the system's flexibility and cost effectiveness.