

SPECIFICATIONS

General information

- 25% open area.
- 24 inches square all steel construction.
- Concentrated load rating up to 1000 lbs.
- Available with or without galvanized slide damper.
- Protected from corrosion by an epoxy paint finish.
- Class A flame spread rating.
- Non-combustible material.

UNDERSTRUCTURE OPTIONS

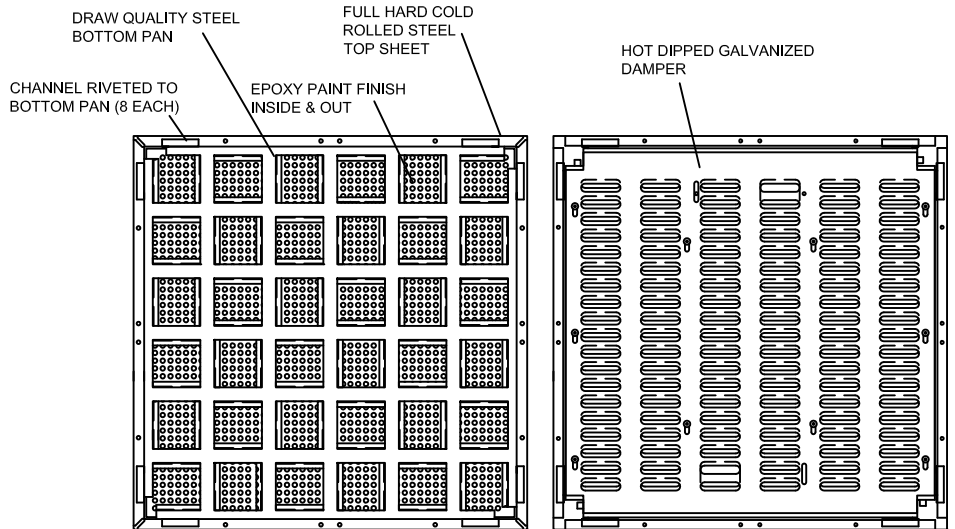
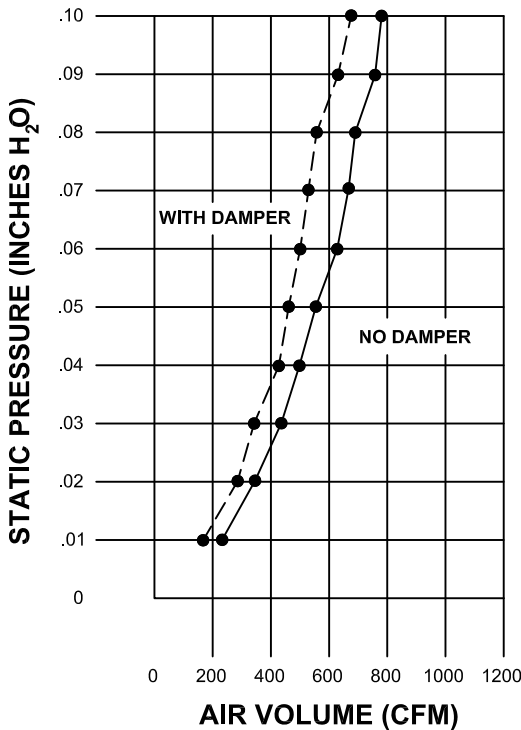
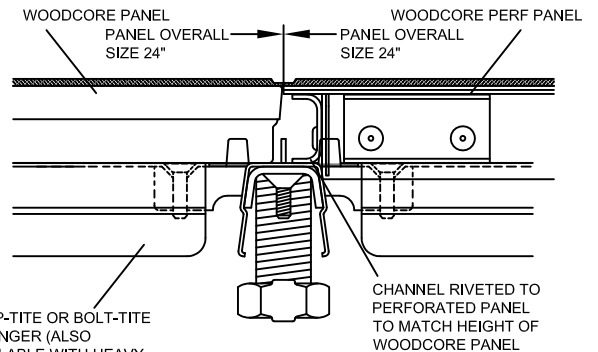
- 2' Snap-Tite Stringer 2' Bolt-Tite Stringer
- 2' X 2' Heavy Duty Bolted Stringer
- 2' X 6' Heavy Duty Bolted Stringer

COVERING OPTIONS

Tile factory laminated with integral trim edge

- 1/16" HPL _____ (Color) _____
- 1/8" HPL _____ (Color) _____

For additional laminate options contact Inside Sales



BOTTOM VIEW

BOTTOM VIEW WITH DAMPER