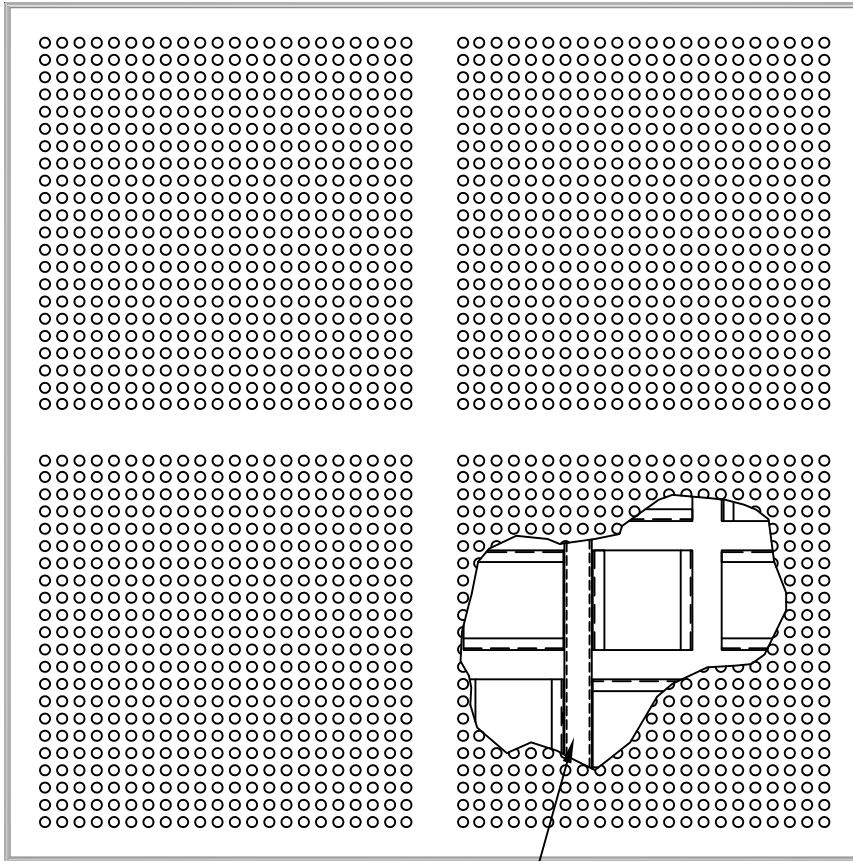




Wood Core HD6 Perf Air Flow Panel-24" For Use with WC6000 Panels



STIFFENING CHANNEL
2 PER PANEL

SPECIFICATIONS

General information

- 25% open area.
- 24 inches square all steel construction.
- Available with or without galvanized slide damper.
- Protected from corrosion by an epoxy paint finish.
- Class A flame spread rating.
- Non-combustible material.

UNDERSTRUCTURE OPTIONS

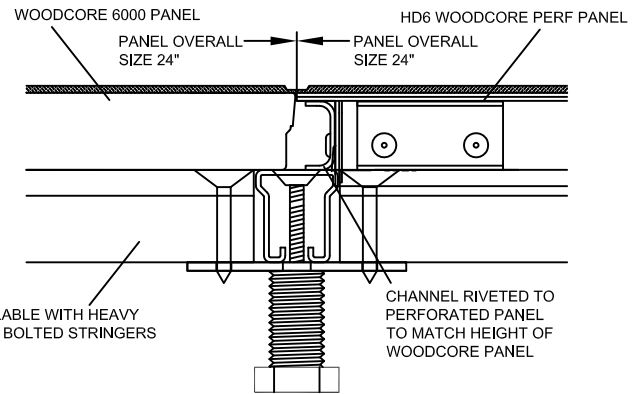
- 2' X 2' Heavy Duty Bolted Stringer
- 2' X 4' Heavy Duty Bolted Stringer
- 4' X 4' Heavy Duty Bolted Stringer

COVERING OPTIONS

Tile factory laminated with integral trim edge

- 1/16" HPL _____ (Color) _____
- 1/8" HPL _____ (Color) _____

For additional laminate options contact Inside Sales



CHANNEL RIVETED TO
BOTTOM PAN (8 EACH)

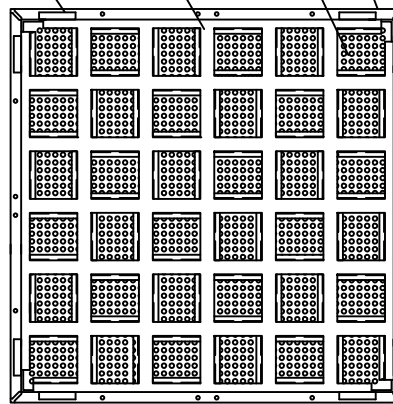
DRAW QUALITY STEEL
BOTTOM PAN

FULL HARD COLD
ROLLED STEEL
TOP SHEET

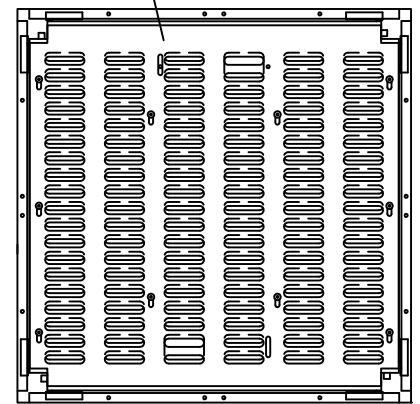
EPOXY PAINT FINISH
INSIDE & OUT

HOT DIPPED GALVANIZED
DAMPER

Static Pressure (In. H ₂ O)	Air Volume (CFM)	Air Volume w/ damper open (CFM)	Air Volume w/ damper closed (CFM)	Air Volume w/ damper 1/2 open (CFM)
0.02	332	237	26	140
0.04	476	328	39	199
0.05	532	366	44	221
0.06	584	402	49	242
0.08	666	461	57	282
0.10	746	515	64	314
0.12	818	582	71	344
0.14	886	620	75	370
0.16	944	669	80	396
0.18	990	699	84	415
0.20	1050	756	88	438



BOTTOM VIEW



BOTTOM VIEW WITH DAMPER