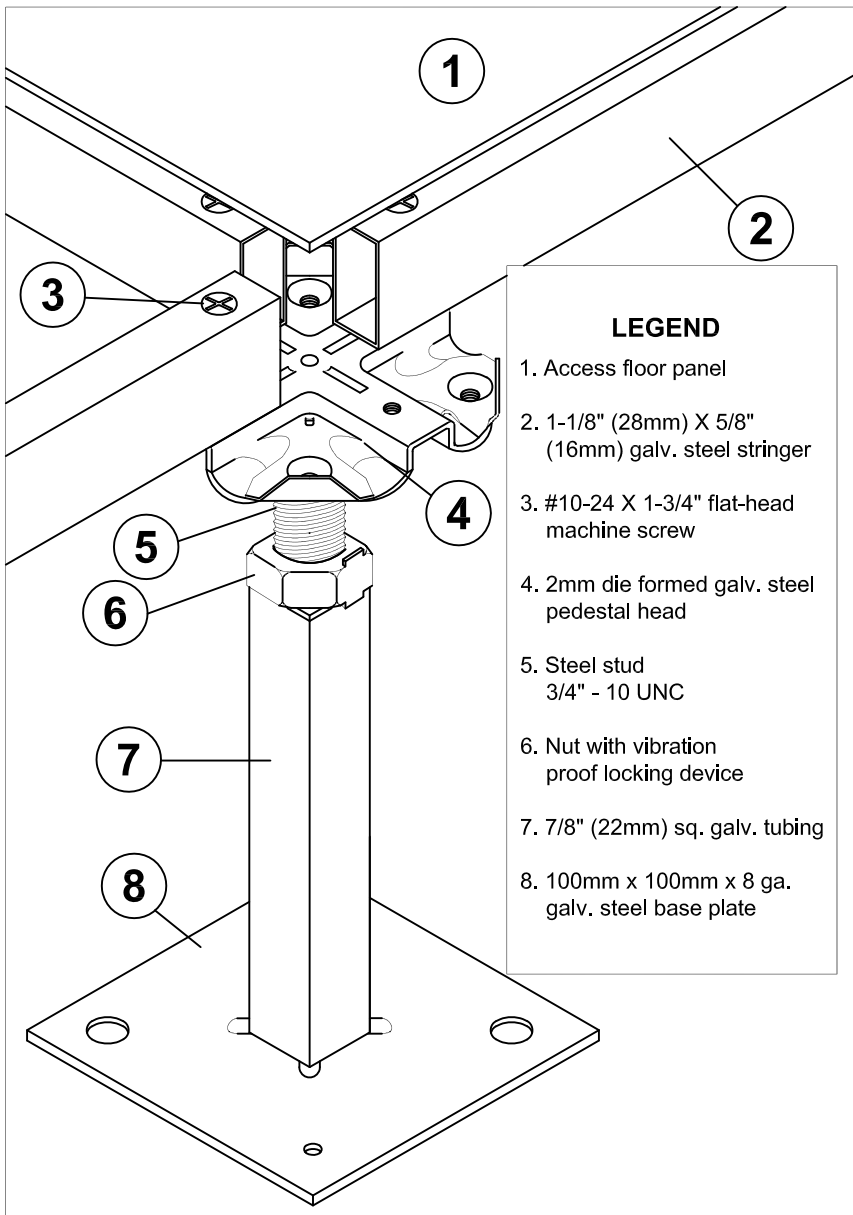
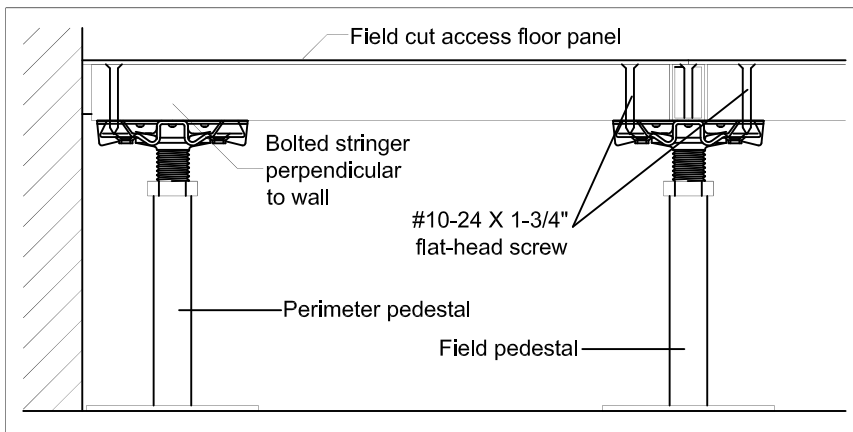


Bolted Stringer Understructure for ConCore® and All Steel Access Floor Panels-60cm. Type 2B Pedestal



LEGEND

1. Access floor panel
2. 1-1/8" (28mm) X 5/8" (16mm) galv. steel stringer
3. #10-24 X 1-3/4" flat-head machine screw
4. 2mm die formed galv. steel pedestal head
5. Steel stud 3/4" - 10 UNC
6. Nut with vibration proof locking device
7. 7/8" (22mm) sq. galv. tubing
8. 100mm x 100mm x 8 ga. galv. steel base plate



PEDESTAL SPECIFICATIONS

Pedestal Assembly

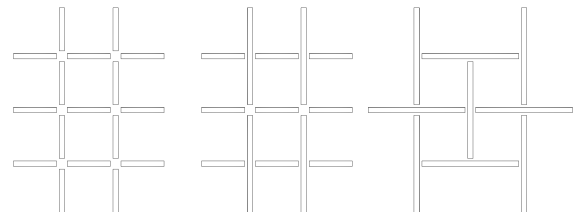
- Assembly up to 36" (915 mm) FFH shall provide a 5,000 lb. (2267 kg.) axial load without permanent deformation.
- Assembly shall provide a 2" (50 mm) total adjustment with a minimum finished floor height of 7" (178 mm).
- Standard finished floor heights of 5" (127mm) to 36" (915 mm). For seismic concerns, refer to seismic submittal details.

Pedestal Head

- Pedestal head and stud assembly shall be one piece steel welded construction.
- Solid electro-galvanized steel stud shall be 3/4" - 10 UNC and projection welded to head plate.
- Nut shall be 3/4" - 10 UNC with corrosion resistant coating.
- Nut to provide a vibration-proof locking device.
- Pedestal head shall accept manufacturer's standard fastener which shall engage 60 cm or 120 cm stringers forming a rigid laterally stable structure.
- Stud shall provide an anti-rotation feature when engaged with the pedestal base assembly for FFH of 7" (178mm) and higher.

Stringers

- Stringer grid pattern shall be 60cm/60cm, 60cm/120cm, or 120cm/120cm.



- Stringers shall be galvanized steel construction 1-1/8" (28 mm) deep by 5/8" (16 mm) wide.
- Stringers shall be positively positioned by steel screws with corrosion resistant coating.
- Stringer shall be capable of supporting a concentrated load of 250 lbs. (113 kg.) at the center of a 60 cm span without exceeding 0.010" (.25mm) permanent set without panels in place.

Stringers Fastener

- Standard fastener shall be a #10-24 by 1-3/4" (44 mm) long flat-head screw with corrosion resistant coating.

Pedestal Base

- Base shall be at least 100 cm square and hot-dip galvanized steel.
- Pedestal tube shall be 22 mm square and hot-dip galvanized steel.

Note 1 - drill and counter-sink stringer - use #10 self tapping screw for stringer attachment. Use 1/8" (3mm) shim between stringer and head to allow panel at perimeter to rest on stringer.