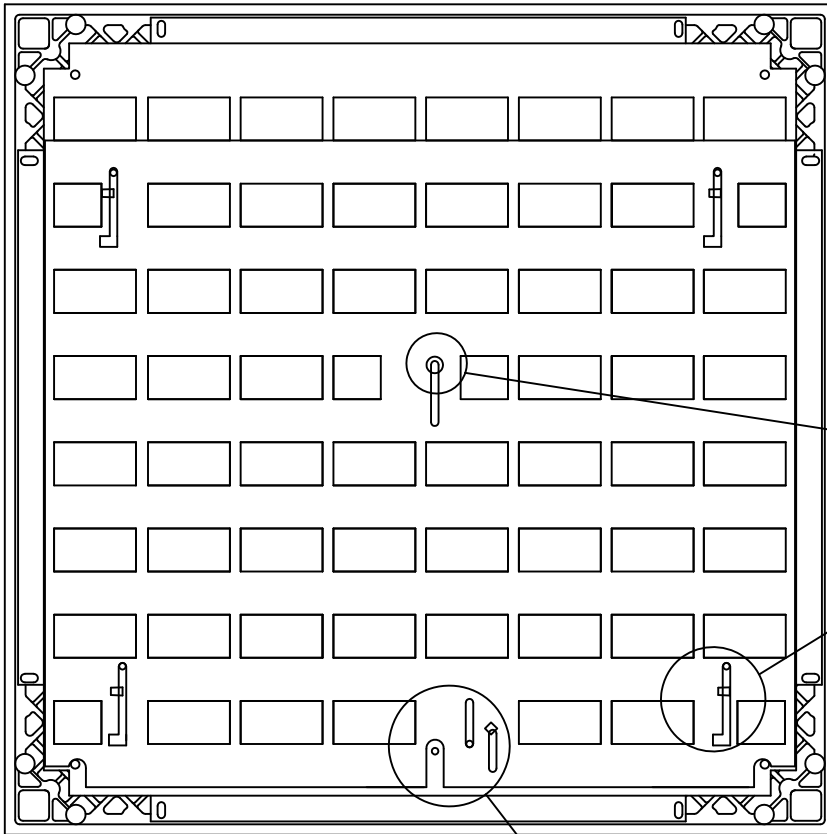




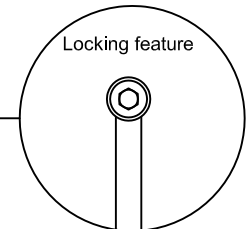
**BOTTOM VIEW WITH OPTIONAL AIR EXACT DAMPER**



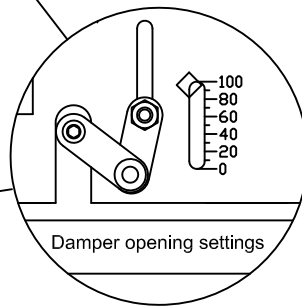
**AIR EXACT DAMPER**

*General information*

- Locking feature locks damper at desired setting from top.
- Easily disassembles for cleaning.
- Adjustable from top with standard T-handle allen wrench.
- Compatible with FF1250, FF3000 perforated panels and grates.
- Opening setting is clearly visible from top.
- Same standard 5/32" T-handle allen wrench for adjusting damper and locking it in place.
- Material: Aluminum alloy 5062.
- 55 slotted openings of approximately 2-3/8" X 1-1/8".



Tab for easy disassembly and cleaning



100 represents fully open  
0 represents fully closed

**DOWNWARD AIR FLOW PERFORMANCE**

Static Pressure (in H <sub>2</sub> O)	Aluminum Grate No Damper (CFM)	Damper 100% Open (CFM)
.01	904	443
.02	1279	625
.03	1562	775
.04	1791	891
.05	2025	997
.06	-	1090
.07	-	1180
.08	-	1265
.09	-	1334