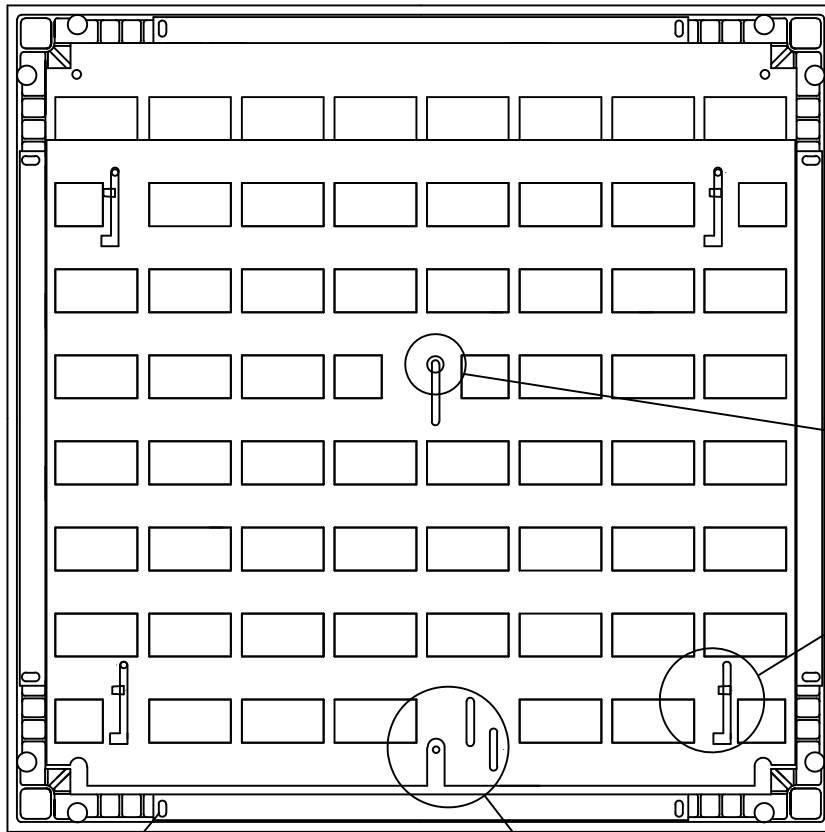


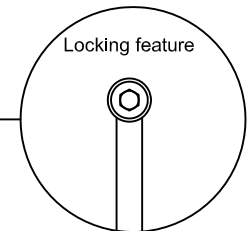
BOTTOM VIEW WITH OPTIONAL AIR EXACT DAMPER



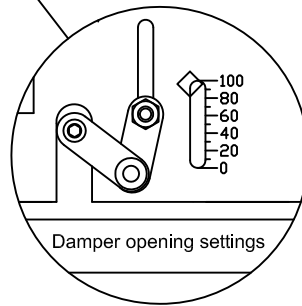
AIR EXACT DAMPER

General information

- Locking feature locks damper at desired setting from top.
- Easily disassembles for cleaning.
- Adjustable from top with standard T-handle allen wrench.
- Compatible with FF1250, FF3000 perforated panels and grates.
- Opening setting is clearly visible from top.
- Same standard 5/32" T-handle allen wrench for adjusting damper and locking it in place.
- Material: Aluminum alloy 5062.
- 55 slotted openings of approximately 0.94 cm X 0.44 cm.



Tab for easy disassembly and cleaning



100 represents fully open
0 represents fully closed

DOWNWARD AIR FLOW PERFORMANCE

Chamfered Holes

Static Pressure (in H ₂ O)	FF 3000 Perforated No Damper	Damper Percent Open							
		20%	30%	40%	50%	60%	70%	80%	100%
Airflow in CFM									
.02	625	244	303	353	399	441	470	492	532
.04	884	346	428	500	564	624	665	695	752
.06	1083	423	525	612	690	764	815	852	921
.08	1251	489	606	707	797	882	941	983	1063
.10	1398	547	677	790	891	986	1052	1099	1188

Downward air flow performance is tested with 1/8" tile with standard 1,024 each 13/32" diameter perforation holes.