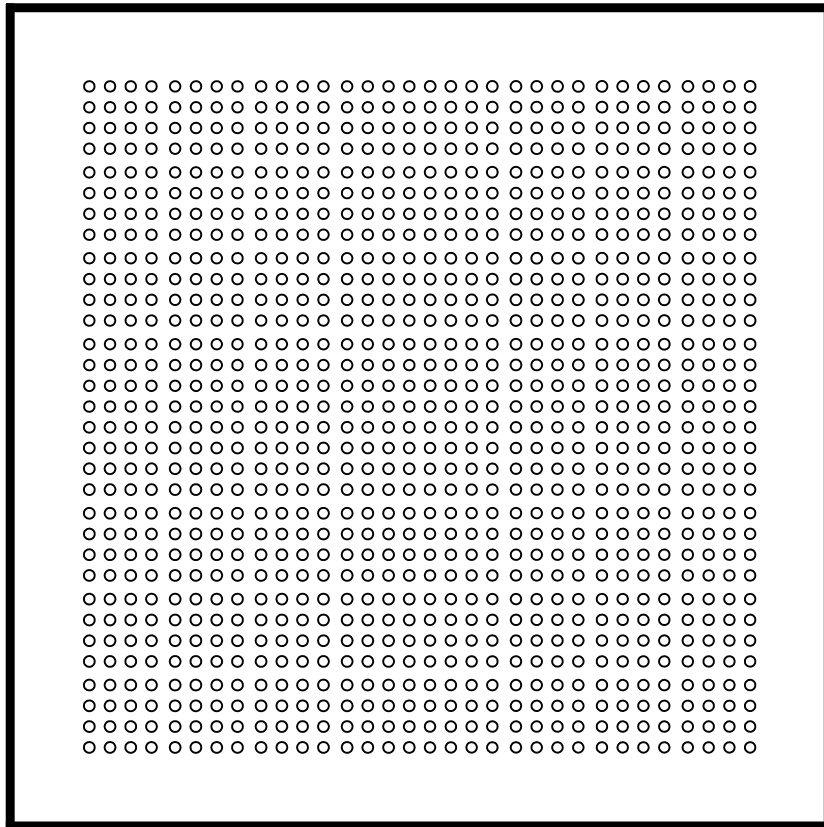


TOP VIEW Standard perforated pattern - 1,024 holes 11/32" dia.



## SPECIFICATIONS

### General information

- 60 cm square. Panel Weight: 6.50 lbs./ft<sup>2</sup> (311 Pa) bare.
- Panel height at corner: 1.89" (4.8 cm) without covering.  
Total panel height: 2-3/8" (6.0 cm) without covering.
- Die cast aluminum construction.
- 16.5% open area.
- Class A flame spread rating.
- Non-combustible material.
- Available with coatings.
- Optional standard perforated patterns (refer to FF3000 specification)
- Compatible with FF1250 solids, perforated panels and grates (Refer to FF3000 specification).

## UNDERSTRUCTURE OPTIONS

- |   |                                     |                                 |
|---|-------------------------------------|---------------------------------|
| <i>System Type</i>                                      | <i>Aluminum Base</i>                | <i>Steel Base</i>               |
| <i>(Select One)</i>                                     | <i>(Select base)</i>                |                                 |
| <input type="checkbox"/> Stringerless                   | <input type="checkbox"/> Type A 5X5 | <input type="checkbox"/> Type 6 |
| <input type="checkbox"/> Cornerlock                     | <input type="checkbox"/> Type B 6X6 |                                 |
| <input type="checkbox"/> 60 cm bolted aluminum stringer | <input type="checkbox"/> Type 800   |                                 |

## PACKAGING OPTIONS - refer to FF3000 specification

### Understructure

- Standard Packaging     Cleanroom Packaging

### Panels

- Standard Packaging     Cleanroom Packaging

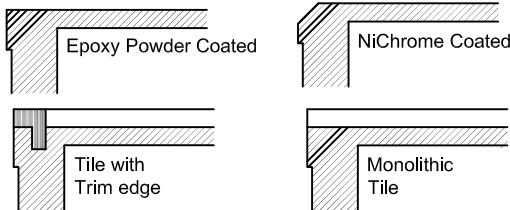
## COVERING OPTIONS

Tile factory laminated with trim edge or monolithic (mono)

- |  |   |
|--|---|
| <input type="checkbox"/> 1/8" HPL _____ (Color) _____                              | <input type="checkbox"/> E-coated                               |
| <input type="checkbox"/> 1/8" Conductive HPL _____ (Color) _____                   | <input type="checkbox"/> E-coated                               |
| <input type="checkbox"/> 1/16" HPL _____ (Color) _____                             | <input type="checkbox"/> E-coated                               |
| <input type="checkbox"/> 1/16" Conductive HPL _____ (Color) _____                  | <input type="checkbox"/> E-coated                               |
| <input type="checkbox"/> 1/8" Conductive vinyl* _____ (Color) _____                | <input type="checkbox"/> E-coated <input type="checkbox"/> Mono |
| <input type="checkbox"/> 1/8" Static Dissipative* _____ (Color) _____              | <input type="checkbox"/> E-coated <input type="checkbox"/> Mono |
| <input type="checkbox"/> 1/8" Low Emission Conductive Vinyl* _____ (Color) _____   | <input type="checkbox"/> E-coated <input type="checkbox"/> Mono |
| <input type="checkbox"/> 1/8" Low Emission Static Dissipative* _____ (Color) _____ | <input type="checkbox"/> E-coated <input type="checkbox"/> Mono |

## COATING OPTIONS

- Ni Chrome     Other \_\_\_\_\_
- Epoxy Powder Coat (conductive)/(Color) \_\_\_\_\_
- Epoxy Powder Coat (non-conductive)/(Color) \_\_\_\_\_



\*Due to load limitations and nature of the tile, the product will not meet the performance specified below. Contact Tate for further information.

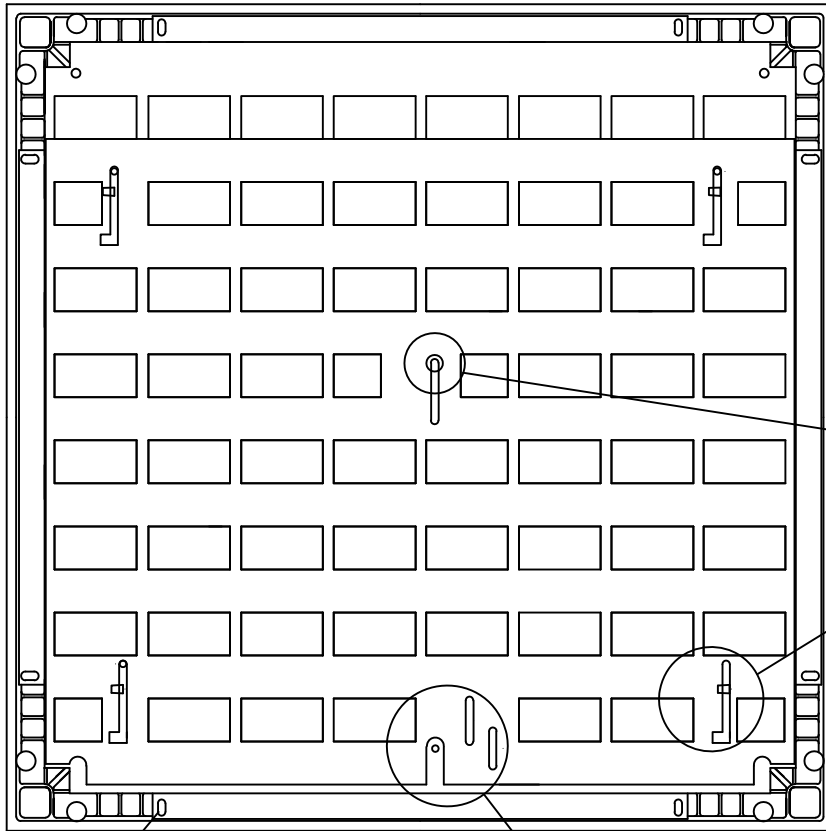
### System Performance Criteria

System performance criteria are the most important to consider because they represent the performance in a typical installation. Panel only criteria such as concentrated load is often used to specify floor systems however, the test is not representative of an actual installation because it is performed with the panel resting on blocks, not actual understructure.

System Performance Criteria (Tested on Actual Understructure)*							
System Type	Understructure	SYSTEM WEIGHT	STATIC LOADS		ROLLING LOADS		IMPACT LOADS
			Design Loads	Safety Factor (min. 2.0)	10 Passes	10,000 Passes	
FF3000 Perforated	Stringerless / Cornerlock	7.1 lbs / ft <sup>2</sup> 34.7 kg / m <sup>2</sup>	2000 lbs. 907 kg	Pass	1500 lbs. 680 kg	2000 lbs. 907 kg	100 lbs. 45.4 kg
	Bolted Stringer	7.4 lbs / ft <sup>2</sup> 36.1 kg / m <sup>2</sup>	2000 lbs. 907 kg	Pass	1500 lbs. 680 kg	2000 lbs. 907 kg	100 lbs. 45.4 kg

\*System load definitions and test procedure descriptions can be found in the Standard Product Tests and Methodology Guidelocated in the Resources section of Tate's web-site, [www.tateaccessfloors.com](http://www.tateaccessfloors.com).

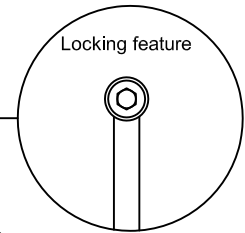
**BOTTOM VIEW WITH OPTIONAL AIR EXACT DAMPER**



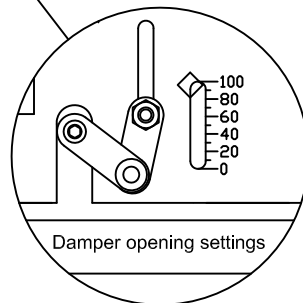
**AIR EXACT DAMPER**

*General information*

- Locking feature locks damper at desired setting from top.
- Easily disassembles for cleaning.
- Adjustable from top with standard T-handle allen wrench.
- Compatible with FF1250, FF3000 perforated panels and grates.
- Opening setting is clearly visible from top.
- Same standard 5/32" T-handle allen wrench for adjusting damper and locking it in place.
- Material: Aluminum alloy 5062.
- 55 slotted openings of approximately 0.94 cm X 0.44 cm.



Tab for easy disassembly and cleaning



100 represents fully open  
0 represents fully closed

**DOWNWARD AIR FLOW PERFORMANCE**

**Standard Holes**

Static Pressure (in H <sub>2</sub> O)	FF 3000 Perforated No Damper	Damper Percent Open							
		20%	30%	40%	50%	60%	70%	80%	100%
.02	373	191	214	248	287	300	309	331	369
.04	538	251	300	354	387	440	441	492	506
.06	668	303	380	446	488	527	552	613	619
.08	778	353	442	504	582	619	663	711	736
.10	884	382	492	575	652	683	720	780	804

Downward air flow performance is tested with 1/8" tile with standard 1,024 each 11/32" diameter perforation holes.