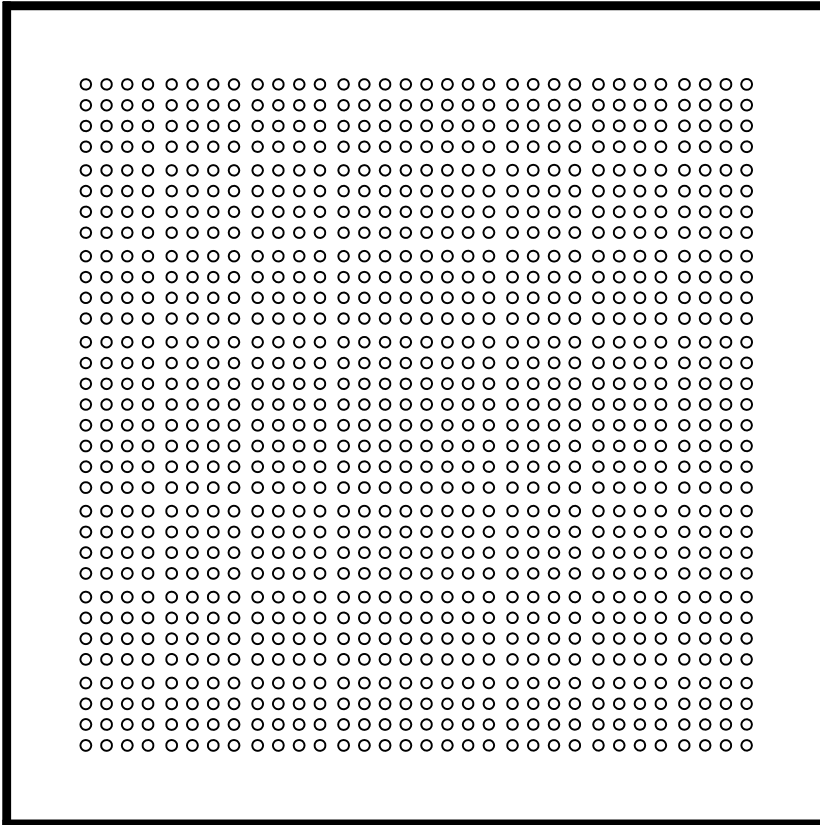


TOP VIEW Standard perforated pattern - 1,024 holes 13/32" dia.



SPECIFICATIONS

General information

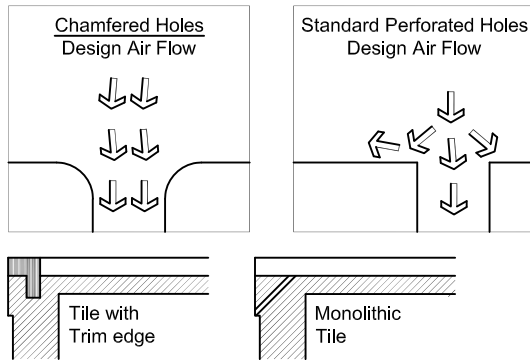
- 24 inches square. Panel Weight: 6.50 lbs./ft² (311 Pa) bare.
- Panel height at corner: 1-5/8" without covering.
Total panel height: 2-3/8" without covering.
- Die cast aluminum construction.
- 23% open area.
- Class A flame spread rating.
- Non-combustible material.
- Available with coatings.
- Optional standard perforated patterns (refer to FF3000 specification)
- Compatible with FF1250 solids, perforated panels and grates (Refer to FF3000 specification).

UNDERSTRUCTURE OPTIONS

- | | | |
|--|-------------------------------------|---------------------------------|
| <i>System Type</i> | <i>Aluminum Base</i> | <i>Steel Base</i> |
| <i>(Select One)</i> | <i>(Select base)</i> | |
| <input type="checkbox"/> Stringerless | <input type="checkbox"/> Type A 5X5 | <input type="checkbox"/> Type 6 |
| <input type="checkbox"/> Cornerlock | <input type="checkbox"/> Type B 6X6 | |
| <input type="checkbox"/> 2' bolted aluminum stringer | <input type="checkbox"/> Type 800 | |

PACKAGING OPTIONS - refer to FF3000 specification

- Understructure*
- Standard Packaging Cleanroom Packaging
- Panels*
- Standard Packaging Cleanroom Packaging



COVERING OPTIONS

- Tile factory laminated with trim edge or monolithic (mono)
- | | | |
|--|-----------------------------------|-------------------------------|
| <input type="checkbox"/> 1/8" Conductive vinyl* _____(Color)_____ | <input type="checkbox"/> E-coated | <input type="checkbox"/> Mono |
| <input type="checkbox"/> 1/8" Static Dissipative* _____(Color)_____ | <input type="checkbox"/> E-coated | <input type="checkbox"/> Mono |
| <input type="checkbox"/> 1/8" Low Emission Conductive Vinyl* _____(Color)_____ | <input type="checkbox"/> E-coated | <input type="checkbox"/> Mono |
| <input type="checkbox"/> 1/8" Low Emission Static Dissipative* _____(Color)_____ | <input type="checkbox"/> E-coated | <input type="checkbox"/> Mono |

*Due to load limitations and nature of the tile, the product will not meet the performance specified below. Contact Tate for further information.

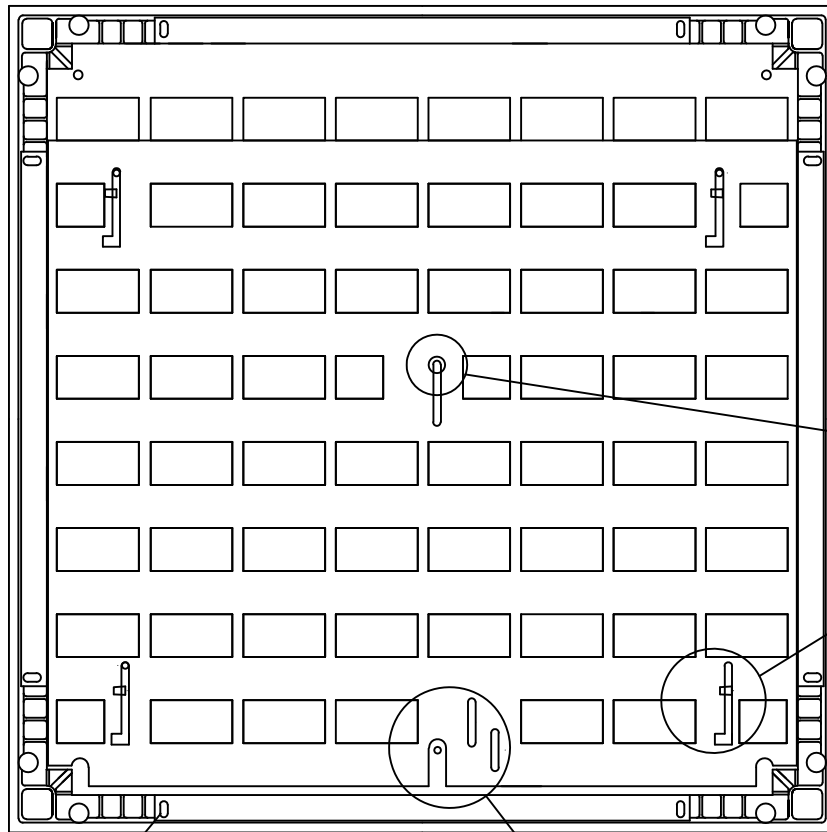
System Performance Criteria

System performance criteria are the most important to consider because they represent the performance in a typical installation. Panel only criteria such as concentrated load is often used to specify floor systems however, the test is not representative of an actual installation because it is performed with the panel resting on blocks, not actual understructure.

System Performance Criteria (Tested on Actual Understructure)*							
System Type	Understructure	SYSTEM WEIGHT	STATIC LOADS		ROLLING LOADS		IMPACT LOADS
			Design Loads	Safety Factor (min. 2.0)	10 Passes	10,000 Passes	
FF3000 Perforated	Stringerless / Cornerlock	7.1 lbs / ft² 34.7 kg / m²	2000 lbs. 907 kg	Pass	1500 lbs. 680 kg	2000 lbs. 907 kg	100 lbs. 45.4 kg
	Bolted Stringer	7.4 lbs / ft² 36.1 kg / m²	2000 lbs. 907 kg	Pass	1500 lbs. 680 kg	2000 lbs. 907 kg	100 lbs. 45.4 kg

*System load definitions and test procedure descriptions can be found in the Standard Product Tests and Methodology Guidelocated in the Resources section of Tate's web-site, www.tateaccessfloors.com.

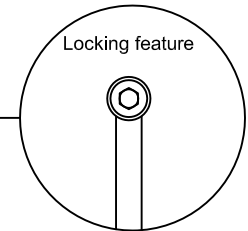
BOTTOM VIEW WITH OPTIONAL AIR EXACT DAMPER



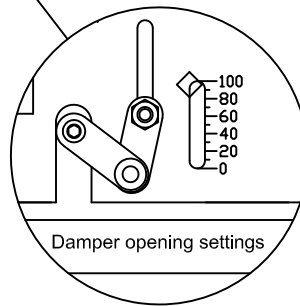
AIR EXACT DAMPER

General information

- Locking feature locks damper at desired setting from top.
- Easily disassembles for cleaning.
- Adjustable from top with standard T-handle allen wrench.
- Compatible with FF1250, FF3000 perforated panels and grates.
- Opening setting is clearly visible from top.
- Same standard 5/32" T-handle allen wrench for adjusting damper and locking it in place.
- Material: Aluminum alloy 5062.
- 55 slotted openings of approximately 2-3/8" X 1-1/8".



Tab for easy disassembly and cleaning



100 represents fully open
0 represents fully closed

DOWNWARD AIR FLOW PERFORMANCE
Chamfered Holes

Static Pressure (in H ₂ O)	FF 3000 Perforated No Damper	Damper Percent Open							
		20%	30%	40%	50%	60%	70%	80%	100%
.02	625	244	303	353	399	441	470	492	532
.04	884	346	428	500	564	624	665	695	752
.06	1083	423	525	612	690	764	815	852	921
.08	1251	489	606	707	797	882	941	983	1063
.10	1398	547	677	790	891	986	1052	1099	1188

Downward air flow performance is tested with 1/8" tile with standard 1,024 each 13/32" diameter perforation holes.