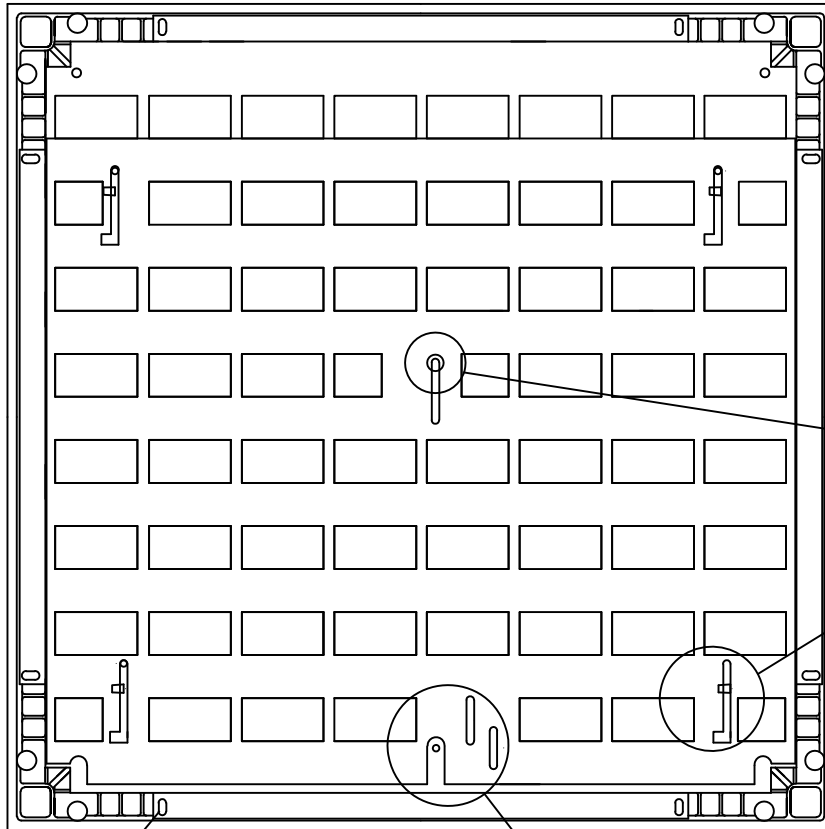




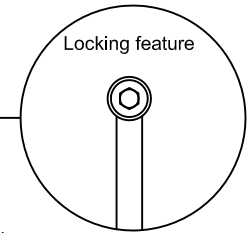
BOTTOM VIEW WITH OPTIONAL AIR EXACT DAMPER



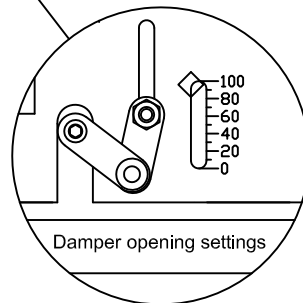
**AIR EXACT DAMPER**

*General information*

- Locking feature locks damper at desired setting from top.
- Easily disassembles for cleaning.
- Adjustable from top with standard T-handle allen wrench.
- Compatible with FF1250, FF3000 perforated panels and grates.
- Opening setting is clearly visible from top.
- Same standard 5/32" T-handle allen wrench for adjusting damper and locking it in place.
- Material: Aluminum alloy 5062.
- 55 slotted openings of approximately 2-3/8" X 1-1/8".



Tab for easy disassembly and cleaning



100 represents fully open  
0 represents fully closed

Screw attachment  
(8 locations)

Damper opening settings

**DOWNWARD AIR FLOW PERFORMANCE**

**Standard Holes**

Static Pressure (in H <sub>2</sub> O)	FF3000 Perforated No Damper	Damper Percent Open							
		20%	30%	40%	50%	60%	70%	80%	100%
Airflow in CFM									
.02	521	241	294	342	385	414	431	470	490
.04	737	341	416	484	545	585	610	664	693
.06	903	417	509	592	668	717	747	814	848
.08	1042	482	588	684	771	828	862	939	980
.10	1165	539	657	764	862	925	964	1050	1095

Downward air flow performance is tested with 1/8" tile with standard 1,024 each 13/32" diameter perforation holes.