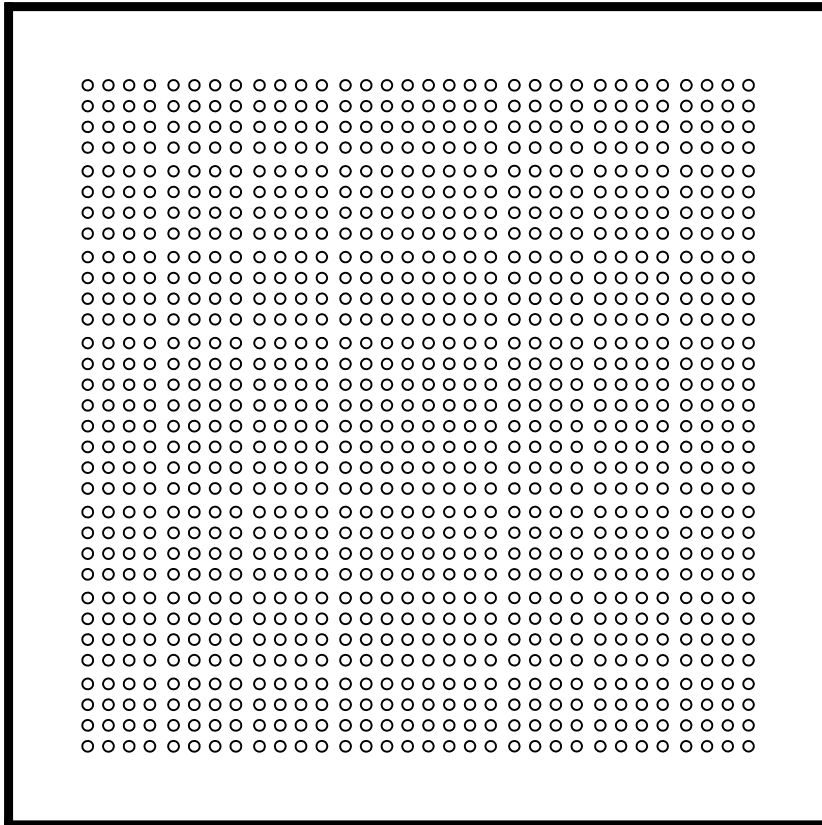


TOP VIEW Standard perforated pattern - 1,024 holes 11/32" dia.



SPECIFICATIONS

General information

- 24 inches square. Panel Weight: 4.50 lbs./ft² bare.
- Panel height shall be 1-5/8" without covering.
- Die cast aluminum construction.
- 16.5% open area.
- Class A flame spread rating.
- Non-combustible material.
- Available with coatings.
- Optional standard perforated patterns (refer to FF1250 specification)
- Compatible with FF3000 solids, perforated panels and grates (Refer to FF1250 specification).

UNDERSTRUCTURE OPTIONS

- | | | |
|--|-------------------------------------|---------------------------------|
| <i>System Type</i> | <i>Aluminum Base</i> | <i>Steel Base</i> |
| <i>(Select One)</i> | <i>(Select base)</i> | |
| <input type="checkbox"/> Stringerless | <input type="checkbox"/> Type A 5X5 | <input type="checkbox"/> Type 6 |
| <input type="checkbox"/> Cornerlock | <input type="checkbox"/> Type B 6X6 | |
| <input type="checkbox"/> 2' bolted aluminum stringer | <input type="checkbox"/> Type 800 | |
| | <input type="checkbox"/> Type 600 | |

PACKAGING OPTIONS - refer to FF1250 specification

Understructure

- Standard Packaging Cleanroom Packaging

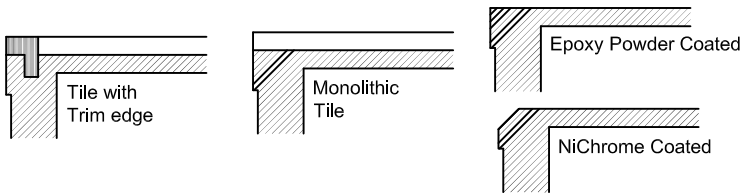
Panels

- Standard Packaging Cleanroom Packaging

COVERING OPTIONS

Tile factory laminated with trim edge or monolithic (mono)

- | | | |
|---|-----------------------------------|-------------------------------|
| <input type="checkbox"/> 1/8" HPL _____ (Color) _____ | <input type="checkbox"/> E-coated | |
| <input type="checkbox"/> 1/8" Conductive HPL _____ (Color) _____ | <input type="checkbox"/> E-coated | |
| <input type="checkbox"/> 1/16" HPL _____ (Color) _____ | <input type="checkbox"/> E-coated | |
| <input type="checkbox"/> 1/16" Conductive HPL _____ (Color) _____ | <input type="checkbox"/> E-coated | |
| <input type="checkbox"/> 1/8" Conductive vinyl _____ (Color) _____ | <input type="checkbox"/> E-coated | <input type="checkbox"/> Mono |
| <input type="checkbox"/> 1/8" Static Dissipative _____ (Color) _____ | <input type="checkbox"/> E-coated | <input type="checkbox"/> Mono |
| <input type="checkbox"/> 1/8" Low Emission Conductive Vinyl _____ (Color) _____ | <input type="checkbox"/> E-coated | <input type="checkbox"/> Mono |
| <input type="checkbox"/> 1/8" Low Emission Static Dissipative _____ (Color) _____ | <input type="checkbox"/> E-coated | <input type="checkbox"/> Mono |



COATING OPTIONS

- Ni Chrome Other _____
- Epoxy Powder Coat (conductive)/(Color) _____
- Epoxy Powder Coat (non-conductive)/(Color) _____

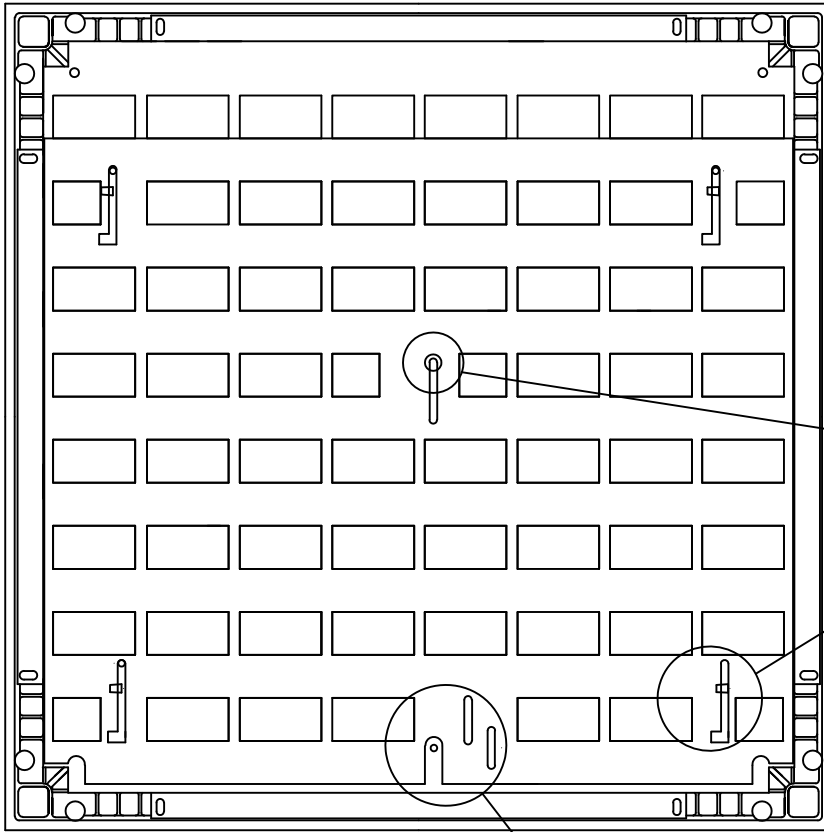
System Performance Criteria

System performance criteria are the most important to consider because they represent the performance in a typical installation. Panel only criteria such as concentrated load is often used to specify floor systems however, the test is not representative of an actual installation because it is performed with the panel resting on blocks, not actual understructure.

| System Performance Criteria (Tested on Actual Understructure)* | | | | | | | |
|--|---------------------------|---|--------------------|--------------------------|---------------------|---------------------|---------------------|
| System Type | Understructure | SYSTEM WEIGHT | STATIC LOADS | | ROLLING LOADS | | IMPACT LOADS |
| | | | Design Loads | Safety Factor (min. 2.0) | 10 Passes | 10,000 Passes | |
| FF1250 Perforated | Stringerless / Cornerlock | 6.0 lbs / ft ² 29 kg / m ² | 1250 lbs 567 kg | Pass | 1000 lbs. 454 kg | 1000 lbs. 454 kg | 100 lbs. 45.4 kg |
| | Bolted Stringer | 6.5 lbs / ft ² 32 kg / m ² | 1250 lbs 567 kg | Pass | 1000 lbs. 454 kg | 1000 lbs. 454 kg | 100 lbs. 45.4 kg |

*System load definitions and test procedure descriptions can be found in the Standard Product Tests and Methodology Guide located in the Resources section of Tate's web-site, www.tateaccessfloors.com.

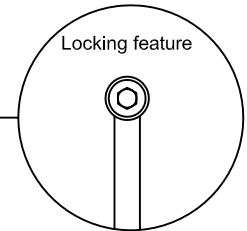
BOTTOM VIEW WITH OPTIONAL AIR EXACT DAMPER



AIR EXACT DAMPER

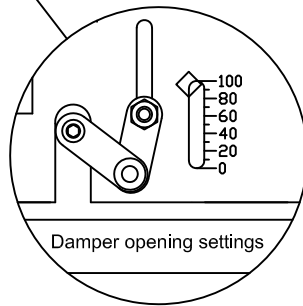
General information

- Locking feature locks damper at desired setting from top.
- Easily disassembles for cleaning.
- Adjustable from top with standard T-handle allen wrench.
- Compatible with FF1250, FF3000 perforated panels and grates.
- Opening setting is clearly visible from top.
- Same standard 5/32" T-handle allen wrench for adjusting damper and locking it in place.
- Material: Aluminum alloy 5062.
- 55 slotted openings of approximately 2-3/8" X 1-1/8".



Locking feature

Tab for easy disassembly and cleaning



Damper opening settings

100 represents fully open
0 represents fully closed

DOWNWARD AIR FLOW PERFORMANCE

Standard Holes

| Static Pressure (in H ₂ O) | FF1250 Perforated No Damper | Damper Percent Open | | | | | | | |
|--|-----------------------------------|---------------------|-----|-----|-----|-----|-----|-----|------|
| | | 20% | 30% | 40% | 50% | 60% | 70% | 80% | 100% |
| .02 | 361 | 183 | 218 | 240 | 267 | 286 | 308 | 312 | 339 |
| .04 | 526 | 248 | 319 | 352 | 378 | 422 | 443 | 475 | 491 |
| .06 | 652 | 304 | 385 | 447 | 489 | 538 | 554 | 573 | 612 |
| .08 | 751 | 350 | 446 | 507 | 564 | 616 | 649 | 687 | 712 |
| .10 | 843 | 391 | 485 | 561 | 642 | 685 | 721 | 748 | 778 |

Downward air flow performance is tested with 1/8" tile with standard 1,024 each 11/32" diameter perforation holes.