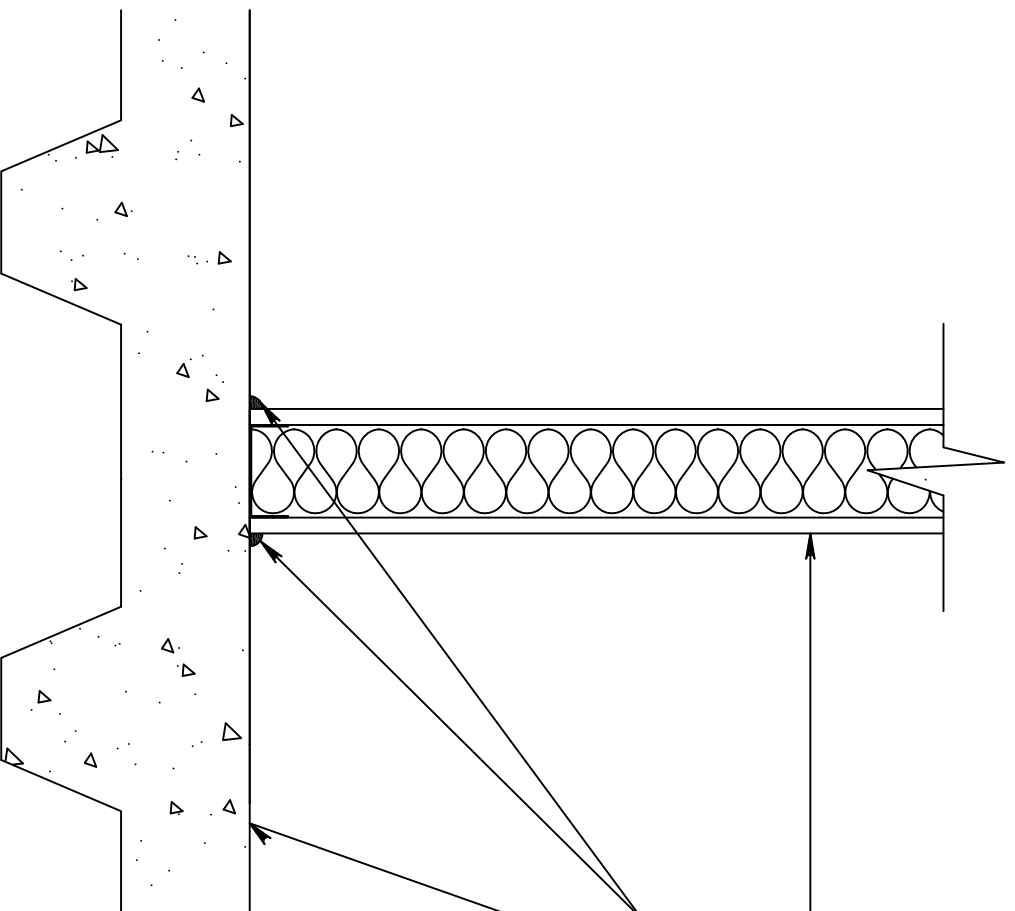


Drywall Partition Condition At Slab Line

Tate Access Floors, Inc.
7510 Montevideo Road
Jessup, MD 20794
Tel (410) 799-4200
Fax (410) 799-4207



SCHEDULED GWB

SEAL AT SLAB LINE

CONCRETE DECK

Following are Gun-grade sealants which have been used for air plenum sealing and comply with the VOC content limits of LEED EQ Credit 4.1 Low Emitting Materials: Adhesive and Sealants. Deep penetrations must be controlled by the use of back-up filler material; see sealant manufacturer's recommendations for these requirements.

Seal Bond 93 Seam and Penetration Sealant.

VOC Content: <17g/L. www.seal-bond.com

SONOLASTIC® NP 1 Elastomeric Polyurethane Sealant.

VOC Content: 43g/L. www.BuildingSystems.BASF.com

Pecora AC-20 Acrylic Latex Sealant.

VOC Content: 31 g/L. www.pecora.com

RCD Corp. #20 Clear Acrylic Adhesive Sealant.

VOC Content: <10 g/L. www.rcdmastics.com