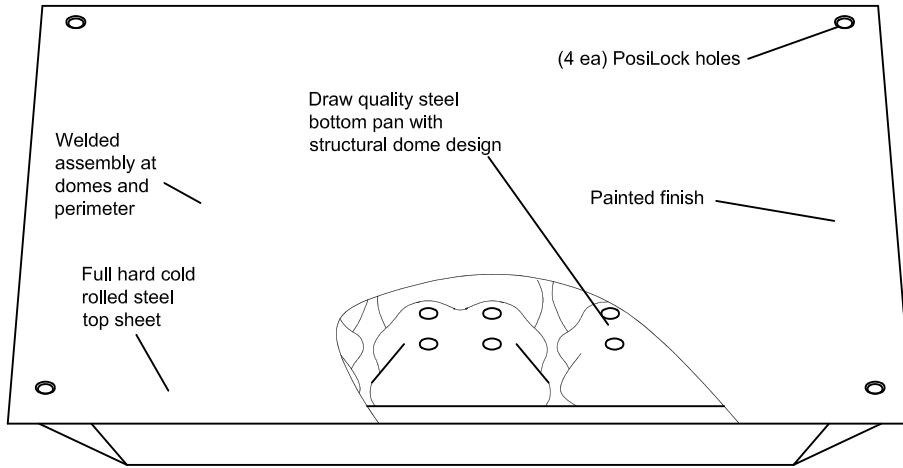
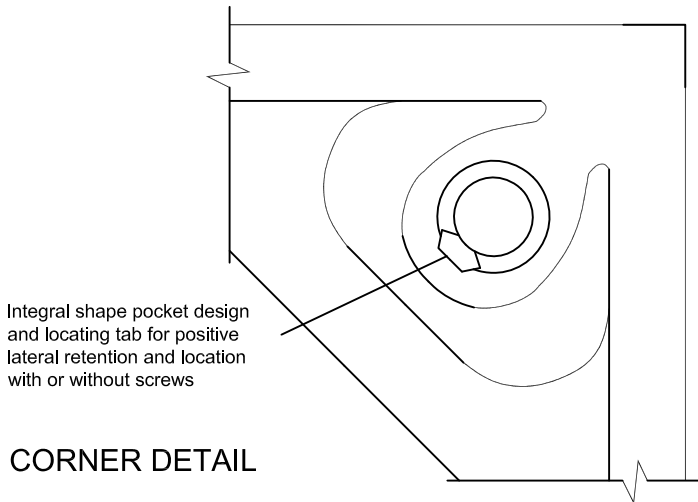


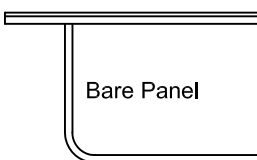
All Steel: AS1500 Panel-24"



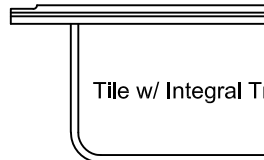
TOP VIEW



CORNER DETAIL



Bare Panel



Tile w/ Integral Trim

SPECIFICATIONS

General information

- Panel weight : 6.0 lbs./ft² bare.
- 1-3/8 inches deep with no covering.
- All steel welded construction.
- Protected from corrosion by an epoxy paint finish.
- Class A flame spread rating.
- Non-combustible material.

UNDERSTRUCTURE OPTIONS

- 4' Bolted Stringer
- 2' Bolted Stringer

COVERING OPTIONS

Tile factory laminated with integral trim edge

- 1/8" HPL _____ (Color) _____
- 1/16" HPL _____ (Color) _____
- 1/8" Conductive HPL _____ (Color) _____
- 1/16" Conductive HPL _____ (Color) _____

For additional laminate options contact Inside Sales

Bare Painted Panel Options

- Bare Painted Finish to accept carpet tile application

System Performance Criteria

System performance criteria are the most important to consider because they represent the performance in a typical installation. Panel only criteria such as concentrated load is often used to specify floor systems however, the test is not representative of an actual installation because it is performed with the panel resting on blocks, not actual understructure.

System Performance Criteria (Tested on Actual Understructure)*							
System Type	Understructure	SYSTEM WEIGHT	STATIC LOADS		ROLLING LOADS		IMPACT LOADS
			Design Loads	Safety Factor (min. 2.0)	10 Passes	10,000 Passes	
All Steel AS1500-24"	Bolted Stringer	8.5 lbs / ft ² 41 kg / m ²	1500 lbs 680 kg	Pass	600 lbs 272 kg	600 lbs 272 kg	150 lbs 68 kg

*System load definitions and test procedure descriptions can be found in the Standard Product Tests and Methodology Guidelocated in the Resources section of Tate's web-site, www.tateaccessfloors.com.