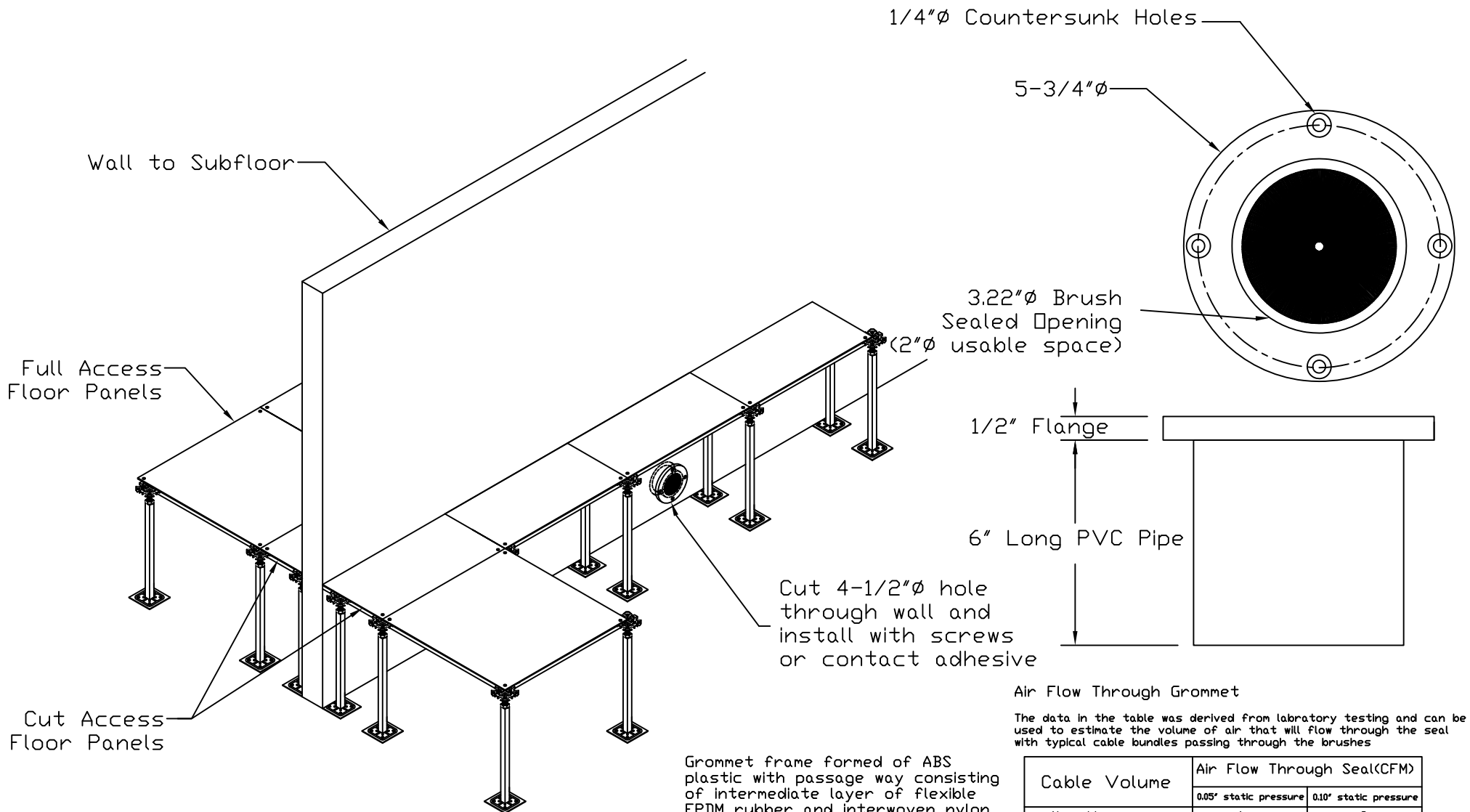


Air Arrest[®] CB 55-04 Circular Mount 4" Brushed Wall Seal

Tate Access Floors, Inc.
 7510 Montevideo Road
 Jessup, MD 20794
 Tel (410) 799-4200
 Fax (410) 799-4207



Air Flow Through Grommet

The data in the table was derived from laboratory testing and can be used to estimate the volume of air that will flow through the seal with typical cable bundles passing through the brushes

Cable Volume	Air Flow Through Seal(CFM)	
	0.05' static pressure	0.10' static pressure
No cables	1	2
(60) Cat5e cables	2	4
(60) Cat5e cables+ (7) BX cables	3	5

Grommet frame formed of ABS plastic with passage way consisting of intermediate layer of flexible EPDM rubber and interwoven nylon filaments. Air Arrest grommets are not rated for use in a U.L. listed firewall assembly.