

SPECIFICATIONS

General information

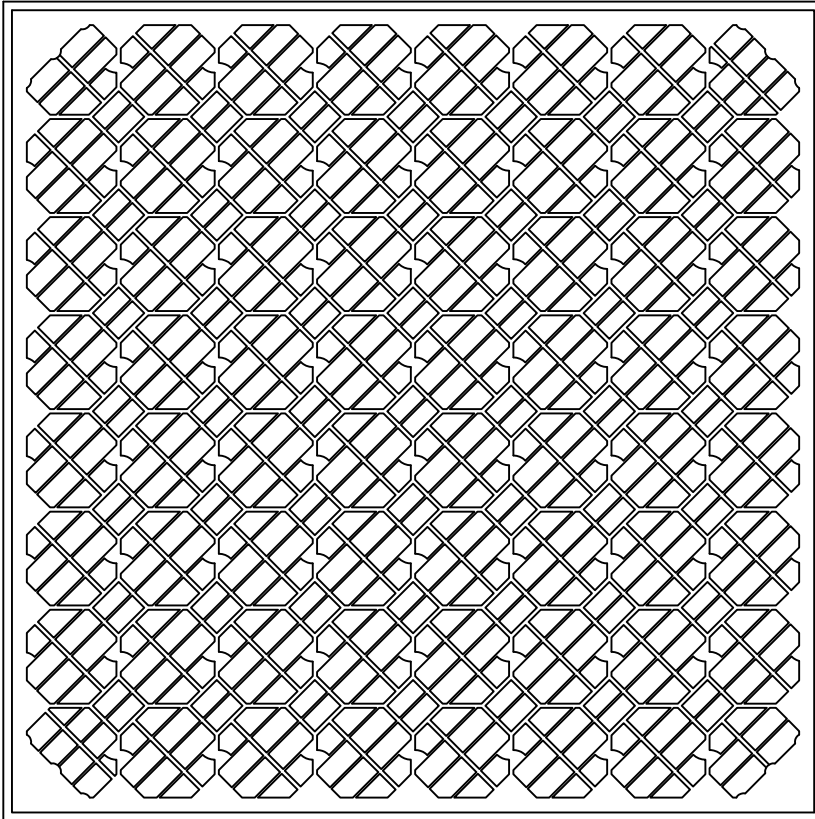
- 24 inches square. Panel Weight: 5.5 lbs./ft² bare.
- Panel height shall be 1-3/4" .
- Die cast aluminum construction.
- Class A flame spread rating.
- Non-combustible material.
- Available with coatings.
- 56% open area.
- Damper can adjust to restrict air flow by 100%.
- Removeable with a portable lifting device.

UNDERSTRUCTURE OPTIONS

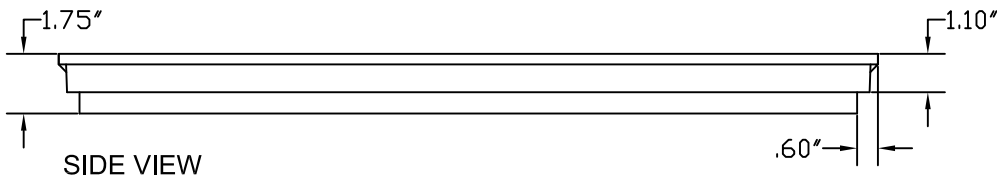
- Snap-Tite Stringer
- Bolt-Tite Stringer
- Heavy Duty Bolted Stringer

COATING OPTIONS

- Conductive Epoxy Powder Coat (White)



TOP VIEW



SIDE VIEW

DOWNWARD AIR FLOW PERFORMANCE

Static Pressure (in H ₂ O)	Aluminum Grate No Damper (CFM)	Damper 100% Open (CFM)
.01	904	443
.02	1279	625
.03	1562	775
.04	1791	891
.05	2025	997
.06	-	1090
.07	-	1180
.08	-	1265
.09	-	1334

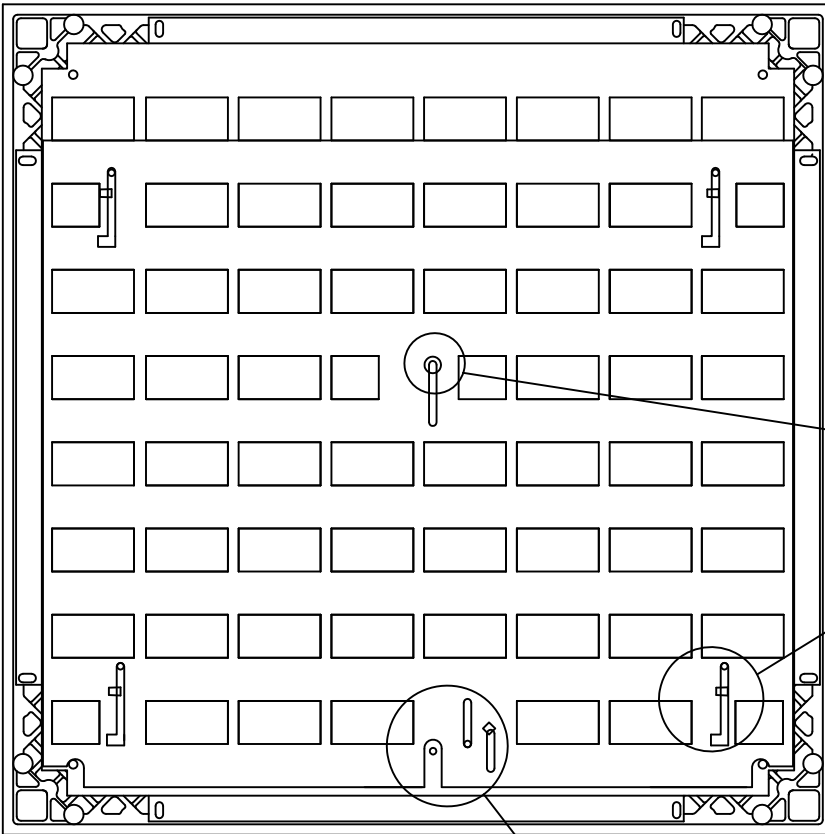
System Performance Criteria

System performance criteria are the most important to consider because they represent the performance in a typical installation. Panel only criteria such as concentrated load is often used to specify floor systems however, the test is not representative of an actual installation because it is performed with the panel resting on blocks, not actual understructure.

System Performance Criteria (Tested on Actual Understructure)*							
System Type	Understructure	SYSTEM WEIGHT	STATIC LOADS		ROLLING LOADS		IMPACT LOADS
			Design Loads	Safety Factor (min. 2.0)	10 Passes	10,000 Passes	
Wood Core Aluminum Grate	Snap-Tite Stringer	6.75 lbs / ft ²	900 lbs	Pass	1000 lbs.	1000 lbs.	150 lbs.
	Bolt-Tite Stringer	33 kg / m ²	408 kg		454 kg	454 kg	68 kg
Wood Core Aluminum Grate	Heavy Duty Bolted Stringer	7.25 lbs / ft ²	900 lbs	Pass	1000 lbs.	1000 lbs.	150 lbs.
		35 kg / m ²	408 kg		454 kg	454 kg	68 kg

*System load definitions and test procedure descriptions can be found in the Standard Product Tests and Methodology Guidelocated in the Resources section of Tate's web-site, www.tateaccessfloors.com.

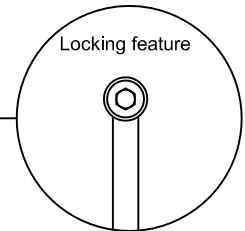
BOTTOM VIEW WITH OPTIONAL AIR EXACT DAMPER



AIR EXACT DAMPER

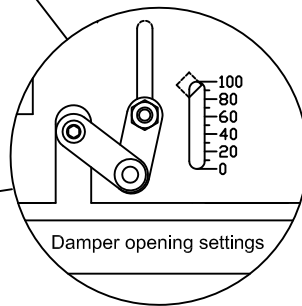
General information

- Locking feature locks damper at desired setting from top.
- Easily disassembles for cleaning.
- Adjustable from top with standard T-handle allen wrench.
- Compatible with FF1250, FF3000 perforated panels and grates.
- Opening setting is clearly visible from top.
- Same standard 5/32" T-handle allen wrench for adjusting damper and locking it in place.
- Material: Aluminum alloy 5062.
- 55 slotted openings of approximately 2-3/8" X 1-1/8".



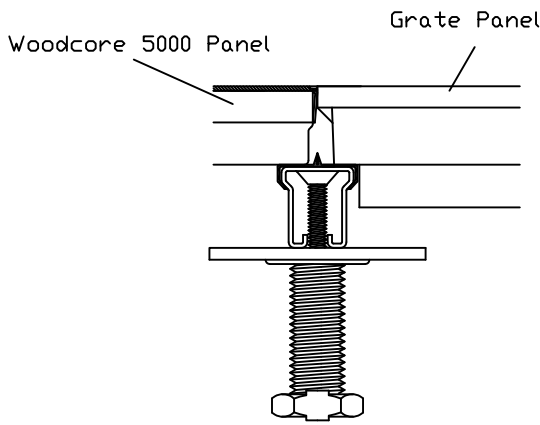
Locking feature

Tab for easy disassembly and cleaning

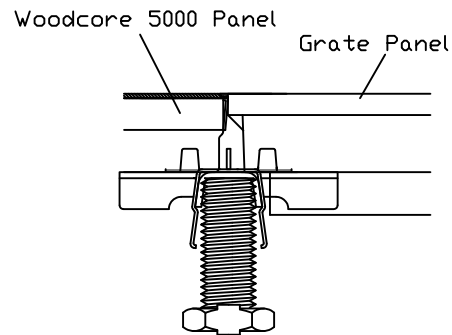


100 represents fully open
0 represents fully closed

Damper opening settings



Heavy-Duty Bolted Stringer



Bolt-Tite/Snap-Tite Stringer

Understructure Options